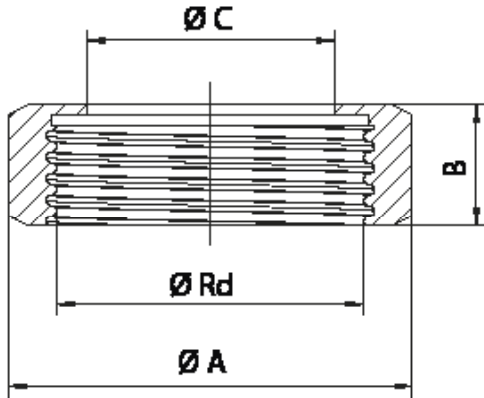
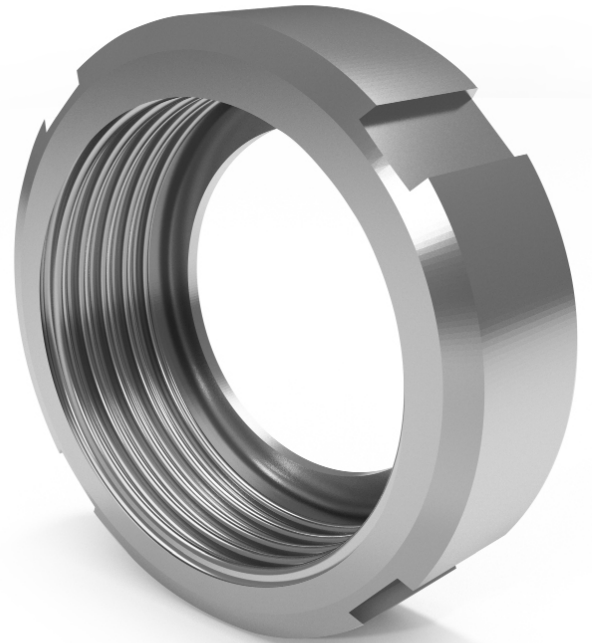


FERRULE SMS 1145



MATERIAL: AISI 316L - AISI 304L



Service optional for fittings type:

DN	Ø A	B	Ø C	Ø Rd
25 - 1"	51	20	32	40 x 1/6
32 - 1 1/4"	60	22	40	48 x 1/6
40 - 1 1/2"	74	25	48	60 x 1/6
50 - 2"	84	26	61	70 x 1/6
65 - 2 1/2"	100	30	74	85 x 1/6
80 - 3"	114	32	87	98 x 1/6
100 - 4"	140	32	113	125 x 1/4

