



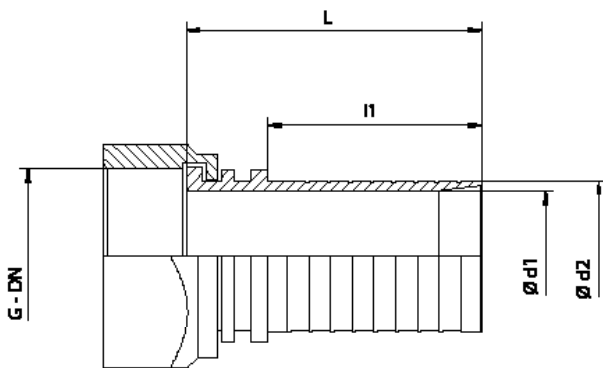
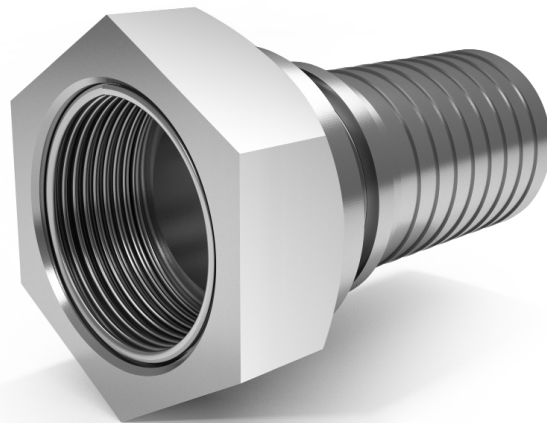
□ AISI 316L FEMALE BSP/GAS RETAINER WITH SWIVEL NUT DIFLON D1

The fitting is used in chemical, pharmaceutical and food industries to connect hoses quickly to equipments and plants.

It is suitable for high pressure uses.

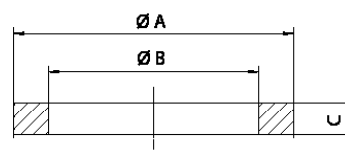
Standard construction material is AISI 316L.

BSP/GAS threaded swivel nut.



RECOMMENDED GASKET

DIFLEX BSP/GAS gasket, resistant to all acids and chemicals, pharmaceuticals and food products with temperatures from -170 °C to +270 °C and pressures up to 50 bar.



DN	L	l1	G	Ø d1	Ø d2
15 - 1/2"	55	30	1/2"	9	13
20 - 3/4"	70	31	3/4"	15	19,2
25 - 1"	75	34	1"	20	25,7
32 - 1 1/4"	80	40	1 1/4"	28	32,4
40 - 1 1/2"	85	51	1 1/2"	33	38,5
50 - 2"	95	62	2"	46	51
65 - 2 1/2"	110	68	2 1/2"	59	64
80 - 3"	130	81	3"	71	75
100 - 4"	140	92	4"	96	101

GASKET BSP/GAS

DN	Ø A	Ø B	C
15 - 1/2"	20	10	3
20 - 3/4"	26	16	3
25 - 1"	32	21	3
32 - 1 1/4"	40	29	3
40 - 1 1/2"	46	34	3
50 - 2"	59	47	3
65 - 2 1/2"	73	60	3
80 - 3"	86	72	3
100 - 4"	112	97	3