

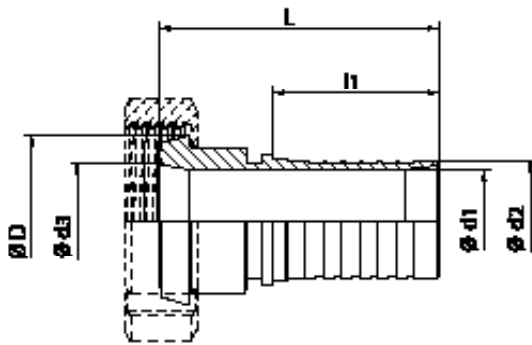
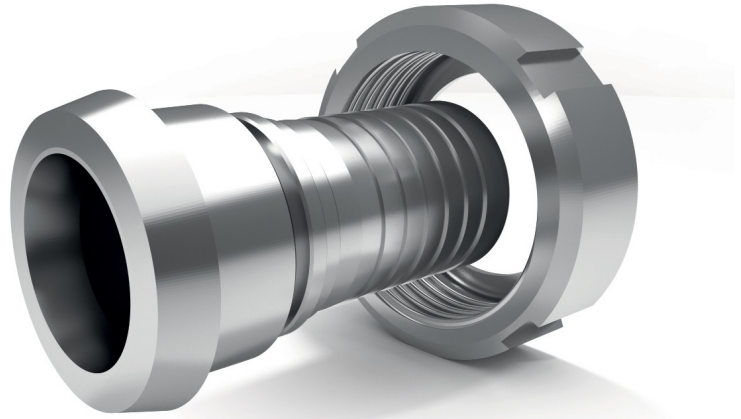


□ AISI 316L DIN 11851 MALE RETAINER DIFLON B1

The fitting is supplied without ferrule and it is used in chemicals and food industries to connect hoses to equipments and plants in a quick and safety way.

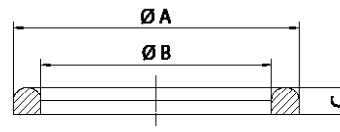
Standard construction material is AISI 316L.

The DIN 405 threaded ferrule according to the Standard DIN 11851 can be supplied in AISI 304L and AISI 316L.



RECOMMENDED GASKET

DIFLEX flat gasket, resistant to all acids and chemicals, pharmaceuticals and food products with temperatures from -170 °C to +270 °C and pressures up to 50 bar.



GASKET DIN 11851

DN	L	l1	Ø D	Ø d1	Ø d2	Ø d3
15 - 1/2"	55	30	28	9	13	15
20 - 3/4"	75	31	36	15	19,2	20
25 - 1"	75	34	44	21	25,7	26
32 - 1 1/4"	75	40	50	28	32,4	32
40 - 1 1/2"	80	51	56	34	38,5	38
50 - 2"	85	62	68	46	51	50
65 - 2 1/2"	95	68	86	59	64	66
80 - 3"	120	81	100	69	75	80
100 - 4"	130	92	121	96	101	100

DN	Ø A	Ø B	C
15 - 1/2"	26	18	4,5
20 - 3/4"	33	23	4,5
25 - 1"	40	30	5
32 - 1 1/4"	46	36	5
40 - 1 1/2"	52	42	5
50 - 2"	64	54	5
65 - 2 1/2"	81	71	5
80 - 3"	95	85	5
100 - 4"	114	104	5