

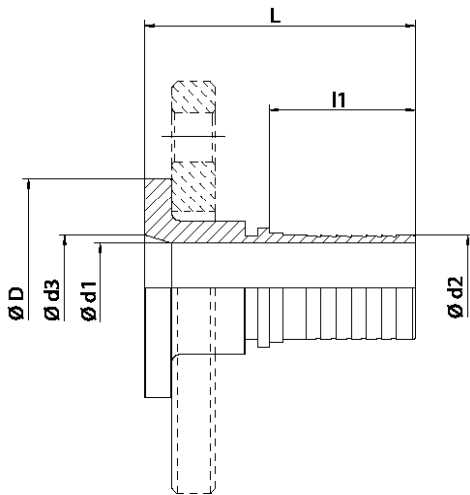
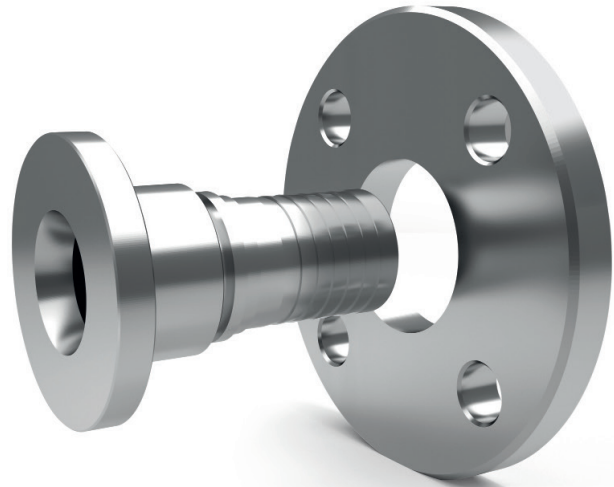


## □ AISI 316L FLANGE RETAINER DIFLON A1

The fitting is supplied without flange and it is used in heavy conditions of various sectors of industry to connect hoses with flanged equipments and plants.

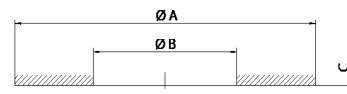
Standard construction material is AISI 316L.

The flange can be provided in the Standard Specification and material according to customer requirements.



### RECOMMENDED GASKET

DIFLEX flat gasket, resistant to all acids and chemicals, pharmaceuticals and food products with temperatures from -170 °C to +270 °C and pressures up to 50 bar.



### FLAT GASKET

DN	L	l1	Ø D	Ø d1	Ø d2	Ø d3
15 - 1/2"	60	30	35	9	13	12
20 - 3/4"	70	31	47	15	19,2	20
25 - 1"	70	34	58	21	25,7	26
32 - 1 1/4"	75	40	64	28	32,4	32
40 - 1 1/2"	80	51	75	33	38,5	40
50 - 2"	90	62	92	45	51	50
65 - 2 1/2"	110	68	105	58	64	65
80 - 3"	130	81	127	69	75	80
100 - 4"	140	92	158	96	101	100

DN	Ø A DIN	Ø A ANSI	Ø B	C
15 - 1/2"	45	35	15	3,96
20 - 3/4"	58	43	20	5,53
25 - 1"	68	51	25	6,35
32 - 1 1/4"	78	64	32	6,35
40 - 1 1/2"	88	73	40	6,35
50 - 2"	102	92	50	6,35
65 - 2 1/2"	122	105	65	6,35
80 - 3"	138	127	80	6,35
100 - 4"	158	158	100	6,35