

760N - Valvola a sfera flottante split body forgiata passaggio ridotto

Rating:

- ANSI 150-600
- PN 16-40
- PN 6, PN 10, PN 25 disponibili a richiesta

760N - Floating split body forged ball valve reduced bore

Rating:

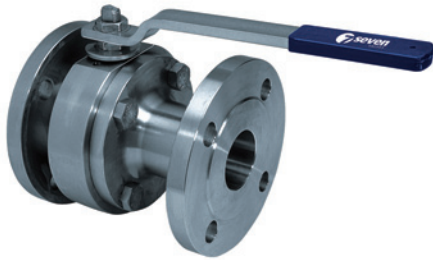
- ANSI 150-600
- PN 16-40
- PN 6, PN 10, PN 25 available on request



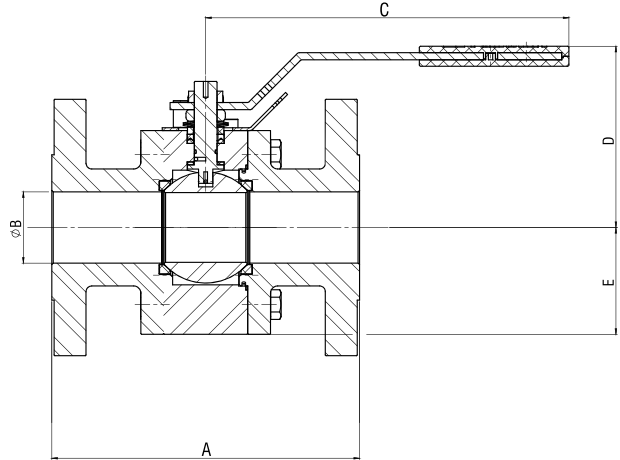
Descrizione & Materiali / Description & Materials

POS	Descrizione / Description	Materiale / Material			Parti di ricambio / Spare parts (QTY)
1	Corpo / Body	A105	304	316	
2	Laterale / Closure	A105	304	316	
3	Sfera / Ball	304	304	316	Su Richiesta / On Request
4	Stelo / Stem	304	304	316	
5	Sede / Seat	PTFE	PTFE	PTFE	2
6	Rondella / Washer	PTFE	PTFE	PTFE	1
7	Molle a Tazza / Spring Washer	C72	C72	C72	Su Richiesta / On Request
8	Dado / Nut	6S	6S	6S	Su Richiesta / On Request
9	Locking device / Locking device	FE410	FE410	FE410	
10	Vite TE / TE Screw	8,8	8,8	8,8	Su Richiesta / On Request
11	Dispositivo di Arresto / Lever Stop	FE410	FE410	FE410	Su Richiesta / On Request
12	Vite TE / TE Screw	8,8	8,8	8,8	
13	Leva / Anatomic Lever	Galv. Steel	Galv. Steel	Galv. Steel	Su Richiesta / On Request
14	Pacco AV / Chevron	RPTFE	RPTFE	RPTFE	1
15	Guarnizione / Gasket	Graphite	Graphite	Graphite	1
16	Guarnizione / Gasket	PTFE	PTFE	PTFE	1
17	O-Ring / O-Ring	HNBR	HNBR	HNBR	1
18	O-Ring / O-Ring	HNBR	HNBR	HNBR	1
19	Sfera Antistatica / Antistatic Ball	304	304	316	
20	Molla Antistatica Antistatic Spring	304	304	316	
21	Bullone / Bolt	8,8	8,8	8,8	
22	Rondella / Washer	304	304	304	

**760N - Valvola a sfera flottante split body forgiata
passaggio ridotto
PN 16**



**760N - Floating split body forged ball valve reduced bore
PN 16**



Dimensioni / Dimensions

Dimensioni in mm / Dimensions in mm

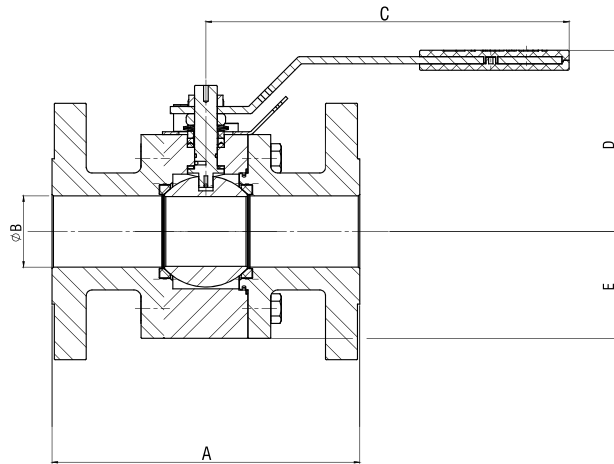
Dimensione / Size	DN 20	DN 25	DN 32	DN 40	DN 50	DN 65	DN 80	DN 100	DN 150
A	120	125	132	140	150	165	180	190	350
B	∅13	∅19	∅25	∅28	∅38	∅62	∅49	∅74	∅100
C	138,5	171	171	260	260	333	333	427	472
D	89	97	101	119	127	147,5	158	174	227
E	52,5	57,5	70	75	82,5	92,5	100	110	142,5
Peso Weight kg.	4	5,2	7	10	13,5	21,5	26	30,5	96

Top Mountings & Coppie ($\Delta p=0$) / Top Mountings & Torques ($\Delta p=0$)

Dimensione / Size	DN 20	DN 25	DN 32	DN 40	DN 50	DN 65	DN 80	DN 100	DN 150
ISO 5211 Nm	F03 11	F03 15	F03 19	F05 33	F05 44	F07 77	F07 100	F10 165	F10 230

**760N - Valvola a sfera flottante split body forgiata
passaggio ridotto
PN 40**

**760N - Floating split body forged ball valve reduced bore
PN 40**



Dimensioni / Dimensions

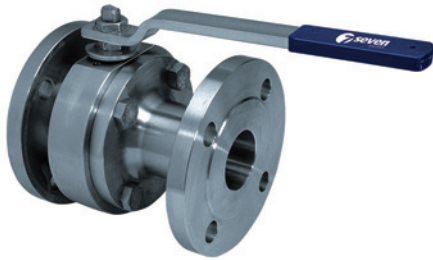
Dimensioni in mm / Dimensions in mm

Dimensione / Size	DN 20	DN 25	DN 32	DN 40	DN 50	DN 65	DN 80	DN 100	DN 150
A	120	125	132	140	150	165	180	190	350
B	ø13	ø19	ø25	ø28	ø38	ø62	ø49	ø74	ø118
C	138,5	171	171	260	260	333	333	427	472
D	89	97	101	119	127	148	158	174	227
E	52,5	57,5	70	75	82,5	92,5	100	117,5	150
Peso Weight kg.	4	5,2	7	10	13,5	21,5	26	30,5	96

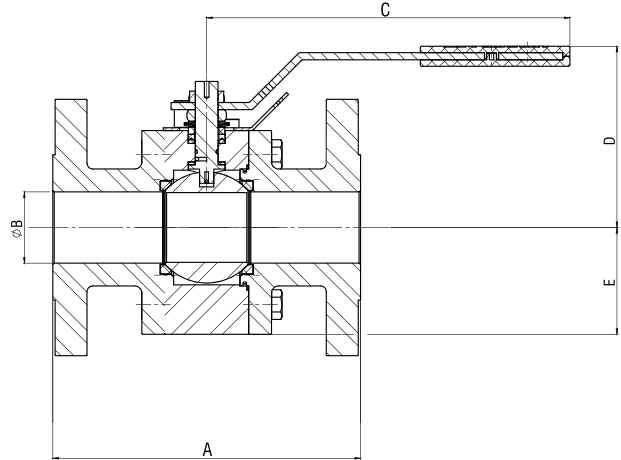
Top Mountings & Coppie ($\Delta p=0$) / Top Mountings & Torques ($\Delta p=0$)

Dimensione / Size	DN 20	DN 25	DN 32	DN 40	DN 50	DN 65	DN 80	DN 100	DN 150
ISO 5211 Nm	F03 11	F03 15	F03 19	F05 33	F05 44	F07 77	F07 100	F10 165	F10 230

**760N - Valvola a sfera flottante split body forgiata
passaggio ridotto
ANSI 150**



**760N - Floating split body forged ball valve reduced bore
ANSI 150**



Dimensioni / Dimensions

Dimensioni in mm / Dimensions in mm

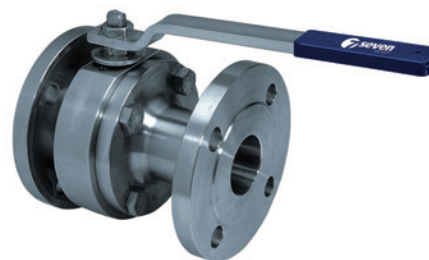
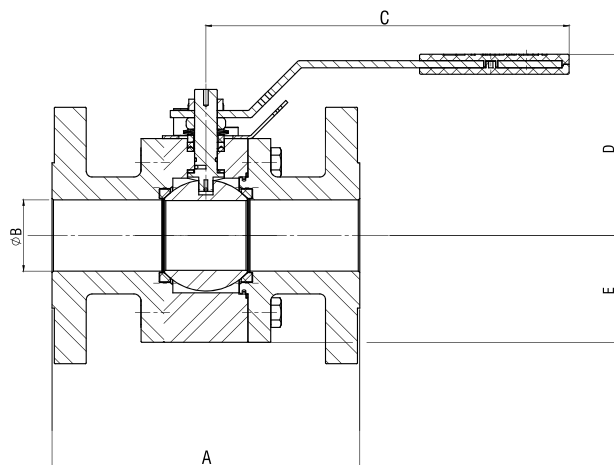
Dimensione / Size	2" x 1 1/2"	3" x 2"	4" x 3"	6" x 4"
A RF	190	216	283	305
A RTJ	178	191	216	241
A BW	190	216	283	305
B	∅38	∅49	∅74	∅100
C	260	260	333	427
D	119	127	158	174
E	76,2	95,2	114,3	139,7
Peso Weight kg.	9	14,3	25	34

Top Mountings & Coppie ($\Delta p=0$) / Top Mountings & Torques ($\Delta p=0$)

Dimensione / Size	2" x 1 1/2"	3" x 2"	4" x 3"	6" x 4"
ISO 5211 Nm	F05 44	F07 100	F10 165	F10 230

**760N - Valvola a sfera flottante split body forgiata
passaggio ridotto
ANSI 300**

**760N - Floating split body forged ball valve reduced bore
ANSI 300**



Dimensioni / Dimensions

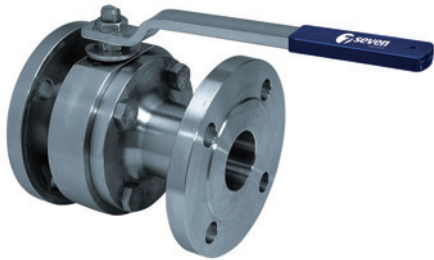
Dimensioni in mm / Dimensions in mm

Dimensione / Size	2" x 1 1/2"	3" x 2"	4" x 3"	6" x 4"
A RF	216	283	305	403
A RTJ	232	298	321	419
A BW	216	283	305	403
B	∅38	∅49	∅74	∅100
C	260	333	427	472
D	127	158	174	227
E	132,5	105	127	158,8
Peso Weight kg.	17	35	48	67

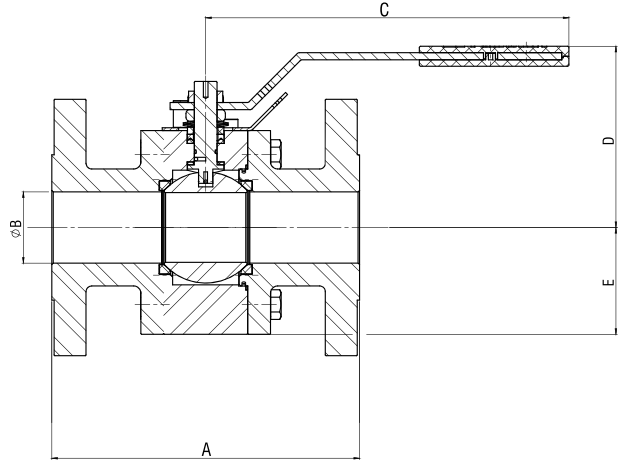
Top Mountings & Coppie ($\Delta p=0$) / Top Mountings & Torques ($\Delta p=0$)

Dimensione / Size	2" x 1 1/2"	3" x 2"	4" x 3"	6" x 4"
ISO 5211 Nm	F05 44	F07 100	F10 165	F10 230

**760N - Valvola a sfera flottante split body forgiata
passaggio ridotto
ANSI 600**



**760N - Floating split body forged ball valve reduced bore
ANSI 600**



Dimensioni / Dimensions

Dimensioni in mm / Dimensions in mm

Dimensione / Size	2" x 1 1/2"	3" x 2"	4" x 3"	6" x 4"
A RF	241	292	356	432
A RTJ	216	241	295	359
A BW	216	241	292	356
B	∅25	∅38	∅49	∅74
C	260	260	333	427
D	119	127	158	174
E	82,6	104,8	136,5	177,8
Peso Weight kg.	22	24	30	45

Top Mountings & Coppie ($\Delta p=0$) / Top Mountings & Torques ($\Delta p=0$)

Dimensione / Size	2" x 1 1/2"	3" x 2"	4" x 3"	6" x 4"
ISO 5211 Nm	F05 44	F07 100	F10 165	F10 230