

### 750N - Valvola a sfera flottante split body forgiata passaggio totale

Rating:

- ANSI 150-600
- PN 16-40
- PN 6, PN 10, PN 25 disponibili a richiesta

### 750N - Floating split body forged ball valve full bore

Rating:

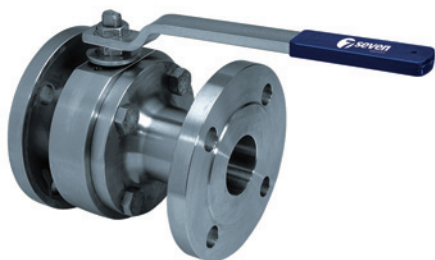
- ANSI 150-600
- PN 16-40
- PN 6, PN 10, PN 25 available on request



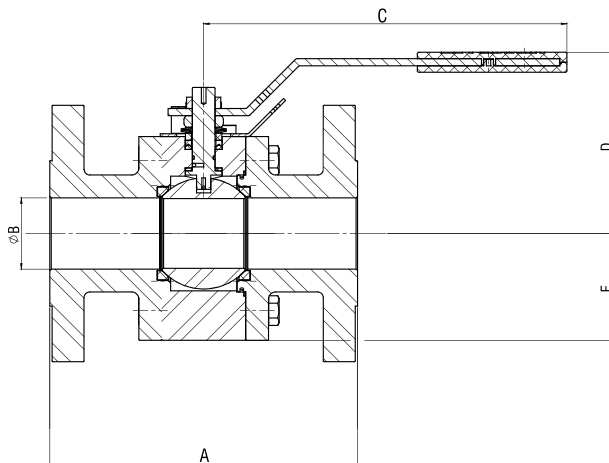
## Descrizione & Materiali / Description & Materials

POS	Descrizione / Description	Materiale / Material			Parti di ricambio / Spare parts (QTY)
1	Corpo / Body	A105	304	316	
2	Laterale / Closure	A105	304	316	
3	Sfera / Ball	304	304	316	Su Richiesta / On Request
4	Stelo / Stem	304	304	316	
5	Sede / Seat	PTFE	PTFE	PTFE	2
6	Rondella / Washer	PTFE	PTFE	PTFE	1
7	Molle a Tazza / Spring Washer	C72	C72	C72	Su Richiesta / On Request
8	Dado / Nut	6S	6S	6S	Su Richiesta / On Request
9	Locking device / Locking device	FE410	FE410	FE410	
10	Vite TE / TE Screw	8,8	8,8	8,8	Su Richiesta / On Request
11	Dispositivo di Arresto / Lever Stop	FE410	FE410	FE410	Su Richiesta / On Request
12	Vite TE / TE Screw	8,8	8,8	8,8	
13	Leva / Anatomic Lever	Galv. Steel	Galv. Steel	Galv. Steel	Su Richiesta / On Request
14	Pacco AV / Chevron	RPTFE	RPTFE	RPTFE	1
15	Guarnizione / Gasket	Graphite	Graphite	Graphite	1
16	Guarnizione / Gasket	PTFE	PTFE	PTFE	1
17	O-Ring / O-Ring	HNBR	HNBR	HNBR	1
18	O-Ring / O-Ring	HNBR	HNBR	HNBR	1
19	Sfera Antistatica / Antistatic Ball	304	304	316	
20	Molla Antistatica Antistatic Spring	304	304	316	
21	Bullone / Bolt	8,8	8,8	8,8	
22	Rondella / Washer	304	304	304	

**750N - Valvola a sfera flottante split body forgiata  
passaggio totale  
PN 16**



**750N - Floating split body forged ball valve full bore  
PN 16**



**Dimensioni / Dimensions**

Dimensioni in mm / Dimensions in mm

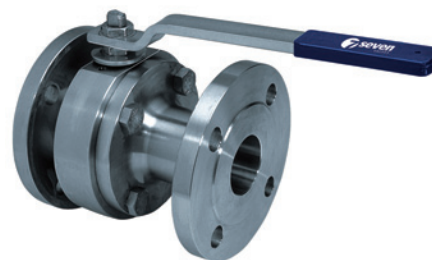
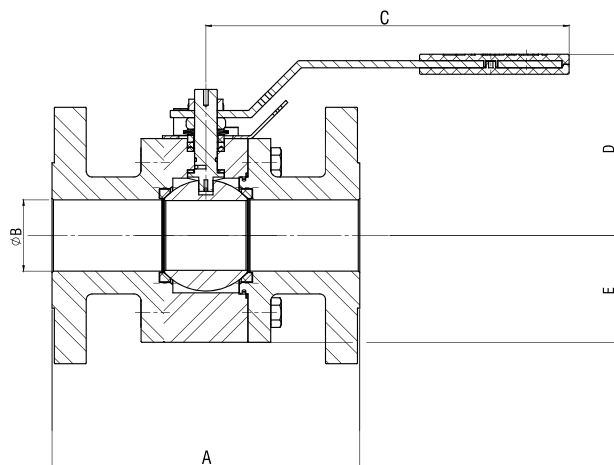
Dimensione / Size	DN 15	DN 20	DN 25	DN 32	DN 40	DN 50	DN 65	DN 80	DN 100	DN 125	DN 150	DN 200
A	115	120	125	132	140	150	165	180	190	325	350	400
B	∅13	∅19	∅25	∅28	∅38	∅49	∅62	∅74	∅100	∅118	∅150	∅200
C	138,5	138,5	171	171	260	260	333	333	427	427	472	
D	85	89	97	101	119	127	147,5	158	174	189	227	
E	47,5	52,5	57,5	70	75	82,5	92,5	100	110	132	142,5	170
Peso Weight kg.	3	4	5,2	7	10	13,5	21,5	26	30,5	61	96	231,5

**Top Mountings & Coppie ( $\Delta p=0$ ) / Top Mountings & Torques ( $\Delta p=0$ )**

Dimensione / Size	DN 15	DN 20	DN 25	DN 32	DN 40	DN 50	DN 65	DN 80	DN 100	DN 125	DN 150	DN 200
ISO 5211 Nm	F03 8	F03 11	F03 15	F03 19	F05 33	F05 44	F07 77	F07 100	F10 165	F10 200	F10 230	F10 350

**750N - Valvola a sfera flottante split body forgiata  
passaggio totale  
PN 40**

**750N - Floating split body forged ball valve full bore  
PN 40**



**Dimensioni / Dimensions**

Dimensioni in mm / Dimensions in mm

Dimensione / Size	DN 15	DN 20	DN 25	DN 32	DN 40	DN 50	DN 65	DN 80	DN 100	DN 125	DN 150
A	115	120	125	132	140	150	165	180	190	325	350
B	∅13	∅19	∅25	∅28	∅38	∅49	∅62	∅74	∅100	∅118	∅150
C	138,5	138,5	171	171	260	260	333	333	427	427	472
D	85	89	97	101	119	127	147,5	158	174	189	227
E	47,5	52,5	57,5	70	75	82,5	92,5	100	117,5	135	150
Peso Weight kg.	3	4	5,2	7	10	13,5	21,5	26	30,5	61	96

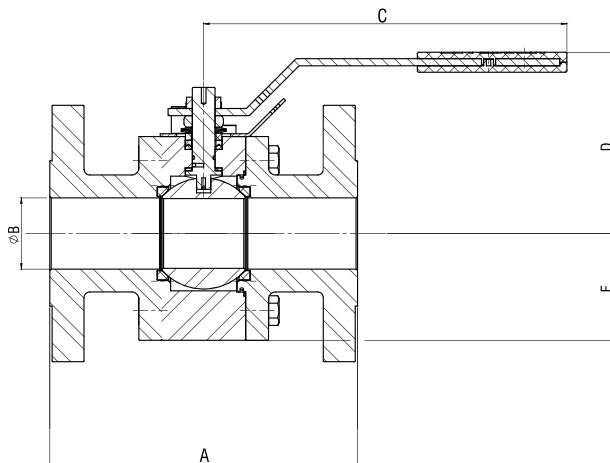
**Top Mountings & Coppie ( $\Delta p=0$ ) / Top Mountings & Torques ( $\Delta p=0$ )**

Dimensione / Size	DN 15	DN 20	DN 25	DN 32	DN 40	DN 50	DN 65	DN 80	DN 100	DN 125	DN 150
ISO 5211 Nm	F03 8	F03 11	F03 15	F03 19	F05 33	F05 44	F07 77	F07 100	F10 165	F10 200	F10 230

**750N - Valvola a sfera flottante split body forgiata  
passaggio totale  
ANSI 150**



**750N - Floating split body forged ball valve full bore  
ANSI 150**



**Dimensioni / Dimensions**

Dimensioni in mm / Dimensions in mm

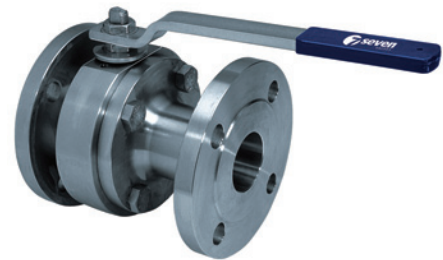
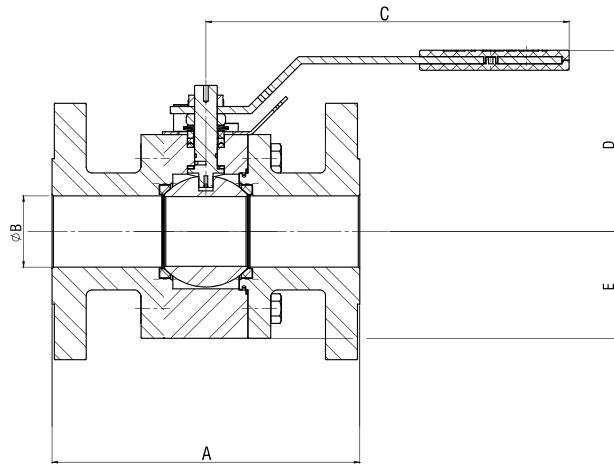
Dimensione / Size	1/2"	3/4"	1"	1 1/2"	2"	3"	4"	6"
A RF	108	117	127	165	178	203	229	394
A RTJ	---	---	140	178	191	216	241	406
A BW	108	117	165	190	216	283	305	457
B	∅13	∅19	∅25	∅38	∅49	∅74	∅100	∅150
C	138,5	138,5	171	260	260	333	427	472
D	85	89	97	119	127	158	174	227
E	44,5	49,2	54	63,5	76,2	95,2	114,3	139,7
Peso Weight kg.	2,7	3,6	4,5	9	14,3	25	34	91

**Top Mountings & Coppie ( $\Delta p=0$ ) / Top Mountings & Torques ( $\Delta p=0$ )**

Dimensione / Size	1/2"	3/4"	1"	1 1/2"	2"	3"	4"	6"
ISO 5211 Nm	F03 8	F03 11	F03 15	F05 33	F05 44	F07 100	F10 165	F10 230

**750N - Valvola a sfera flottante split body forgiata  
passaggio totale  
ANSI 300**

**750N - Floating split body forged ball valve full bore  
ANSI 300**



**Dimensioni / Dimensions**

Dimensioni in mm / Dimensions in mm

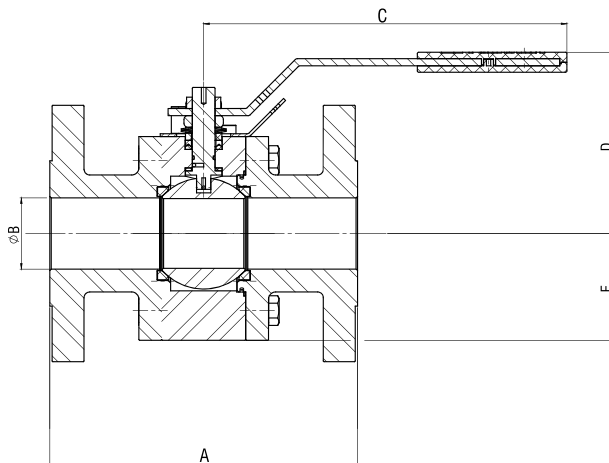
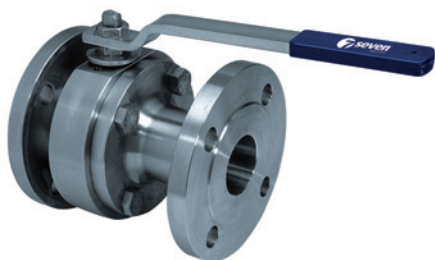
Dimensione / Size	1/2"	3/4"	1"	1 1/2"	2"	3"	4"	6"
A RF	140	152	165	190	216	283	305	403
A RTJ	---	---	178	203	232	298	321	419
A BW	140	152	165	190	216	283	305	457
B	∅13	∅19	∅25	∅38	∅49	∅74	∅100	∅150
C	138,5	138,5	171	260	260	333	427	472
D	85	89	97	119	127	158	174	227
E	47,6	58,8	61,9	77,8	132,5	104,8	127	158,8
Peso Weight kg.	4	5,2	6,8	14	19	38	54	130

**Top Mountings & Coppie ( $\Delta p=0$ ) / Top Mountings & Torques ( $\Delta p=0$ )**

Dimensione / Size	1/2"	3/4"	1"	1 1/2"	2"	3"	4"	6"
ISO 5211 Nm	F03 8	F03 11	F03 15	F05 33	F05 44	F07 100	F10 165	F10 230

**750N - Valvola a sfera flottante split body forgiata  
passaggio totale  
ANSI 600**

**750N - Floating split body forged ball valve full bore  
ANSI 600**



**Dimensioni / Dimensions**

Dimensioni in mm / Dimensions in mm

Dimensione / Size	1/2"	3/4"	1"	1 1/2"	2"	3"	4"
A RF	161	191	216	241	292	356	432
A RTJ	---	---	216	241	295	359	432
A BW	---	---	216	241	292	356	432
B	∅13	∅19	∅25	∅38	∅49	∅74	∅100
C	138,5	138,5	171	260	260	333	427
D	85	89	97	119	127	158	174
E	47,6	58,8	61,9	77,8	82,6	104,8	136,5
Peso Weight kg.	5,5	7,4	9	18,5	25	50	92

**Top Mountings & Coppie ( $\Delta p=0$ ) / Top Mountings & Torques ( $\Delta p=0$ )**

Dimensione / Size	1/2"	3/4"	1"	1 1/2"	2"	3"	4"
ISO 5211 Nm	F03 8	F03 11	F03 15	F05 33	F05 44	F07 100	F10 165