

710F - Valvola a sfera flottante wafer fusa

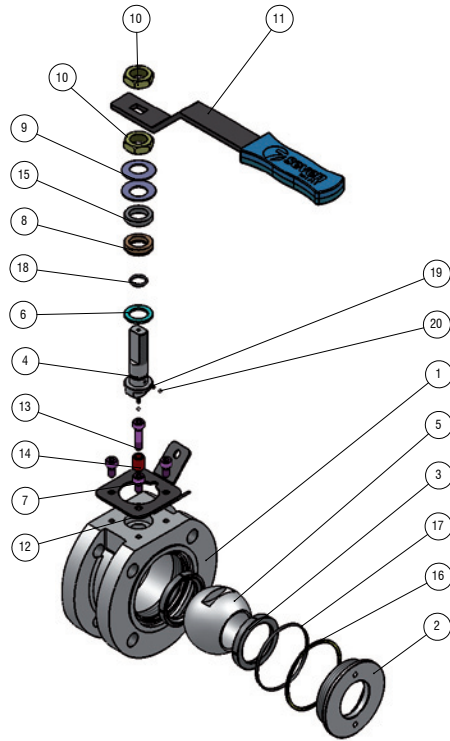
Rating:

- ANSI 150-300
- PN 16-40
- PN 6, PN 10, PN 25 disponibili a richiesta

710N - Floating wafer cast ball valve

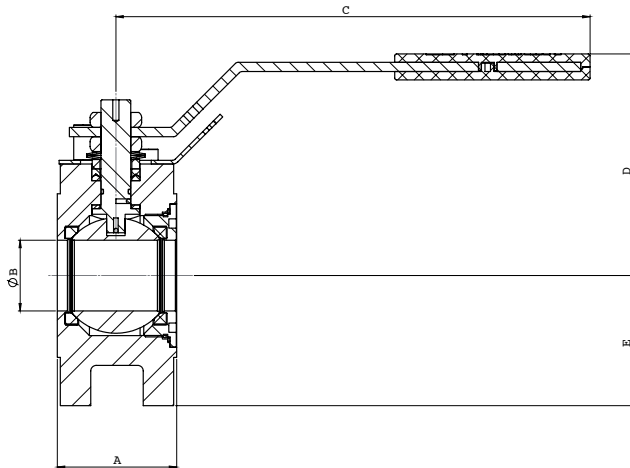
Rating:

- ANSI 150-300
- PN 16-40
- PN 6, PN 10, PN 25 available on request



Descrizione & Materiali / Description & Materials

POS	Descrizione / Description	Materiale / Material			Parti di ricambio / Spare parts (QTY)
1	Corpo / Body	WCB	CF8	CF8M	
2	Laterale / Closure	A105	304	316	
3	Sede / Seat	PTFE	171	171	2
4	Stelo / Stem	304	304	316	
5	Sfera / Ball	304	304	316	Su Richiesta / On Request
6	Guarnizione / Gasket	PTFE	PTFE	PTFE	1
7	Vite TE / TE Screw	8,8	8,8	8,8	
8	Pacco AV / Chevron	RPTFE	RPTFE	RPTFE	1
9	Molle a Tazza / Spring Washer	C72	C72	C72	Su Richiesta / On Request
10	Dado / Nut	6S	6S	6S	Su Richiesta / On Request
11	Leva / Anatomic Lever	Galv. Steel	Galv. Steel	Galv. Steel	Su Richiesta / On Request
12	Locking Device / Locking Device	FE410	FE410	FE410	
13	Vite TE / TE Screw	8,8	8,8	8,8	Su Richiesta / On Request
14	Dispositivo di Arresto / Lever Stop	FE410	FE410	FE410	Su Richiesta / On Request
15	Rondella / Washer	304	304	304	
16	Guarnizione / Gasket	Graphite	Graphite	Graphite	1
17	O-Ring / O-Ring	HNBR	HNBR	HNBR	1
18	O-Ring / O-Ring	HNBR	HNBR	HNBR	1
19	Molla Antistatica Antistatic Spring	304	304	316	
20	Sfera Antistatica / Antistatic Ball	304	304	316	

710F - Valvola a sfera flottante wafer fusa
PN 16
710F - Floating wafer forged ball valve
PN 16

Dimensioni / Dimensions

Dimensioni in mm / Dimensions in mm

Dimensione / Size	DN 40	DN 50	DN 65	DN 80	DN 100	DN 125	DN 150
A	64,2	80,2	104,2	118,2	150	182	236
B	∅38	∅49	∅62	∅74	∅100	∅118	∅150
C	260	260	333	333	427	427	472
D	119	127	148	158	174	189	227
E	70	75	94	102,5	115	135	165
Peso Weight kg.	5	6	12	17	23	30	68

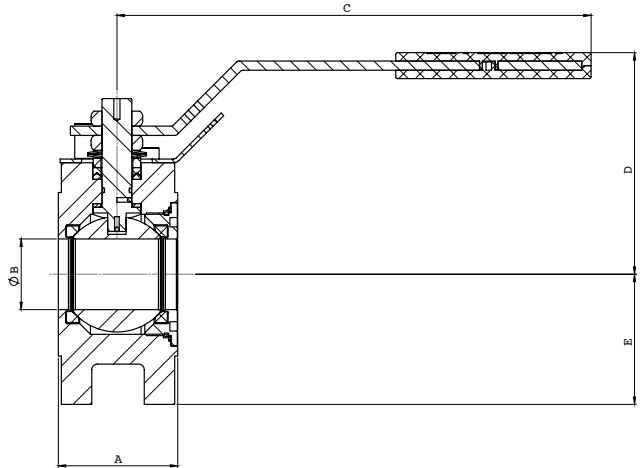
Top Mountings & Coppie ($\Delta p=0$) / Top Mountings & Torques ($\Delta p=0$)

Dimensione / Size	DN 40	DN 50	DN 65	DN 80	DN 100	DN 125	DN 150
ISO 5211 Nm	F05 33	F05 44	F07 77	F07 100	F10 165	F10 200	F10 230

**710F - Valvola a sfera flottante wafer fusa
PN 40**



**710F - Floating wafer cast ball valve
PN 40**



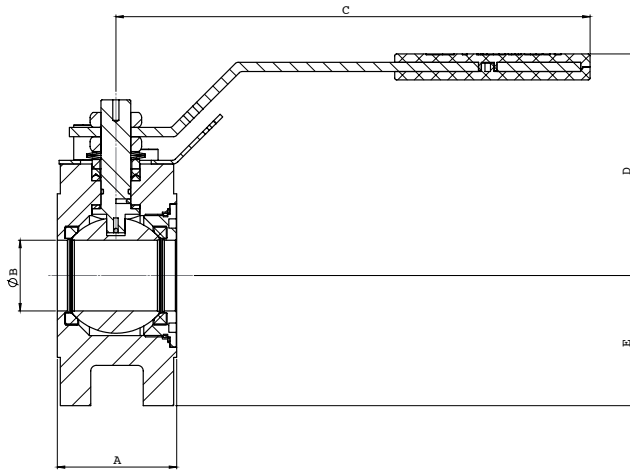
Dimensioni / Dimensions

Dimensioni in mm / Dimensions in mm

Dimensione / Size	DN 40	DN 50	DN 65	DN 80	DN 100	DN 125	DN 150
A	64,2	80,2	104,2	118,2	150	182	236
B	∅38	∅49	∅62	∅74	∅100	∅118	∅150
C	260	260	333	333	427	427	472
D	119	127	148	158	174	189	227
E	70	75	94	102,5	115	135	165
Peso Weight kg.	5	6	12	17	23	30	68

Top Mountings & Coppie ($\Delta p=0$) / Top Mountings & Torques ($\Delta p=0$)

Dimensione / Size	DN 40	DN 50	DN 65	DN 80	DN 100	DN 125	DN 150
ISO 5211 Nm	F05 33	F05 44	F07 77	F07 100	F10 165	F10 200	F10 230

710N - Valvola a sfera flottante wafer fusa
ANSI 150
710N - Floating wafer cast ball valve
ANSI 150

Dimensioni / Dimensions

Dimensioni in mm / Dimensions in mm

Dimensione / Size	1 1/2"	2"	2 1/2"	3"	4"	5"	6"
A	64,2	80,2	104,2	118,2	150	182	236
B	∅38	∅49	∅62	∅74	∅100	∅118	∅150
C	260	260	333	333	427	427	472
D	119	127	147,5	158	174	189	227
E	70	75	90	102,5	115	127,5	165
Peso Weight kg.	5	6	12	17	23	30	68

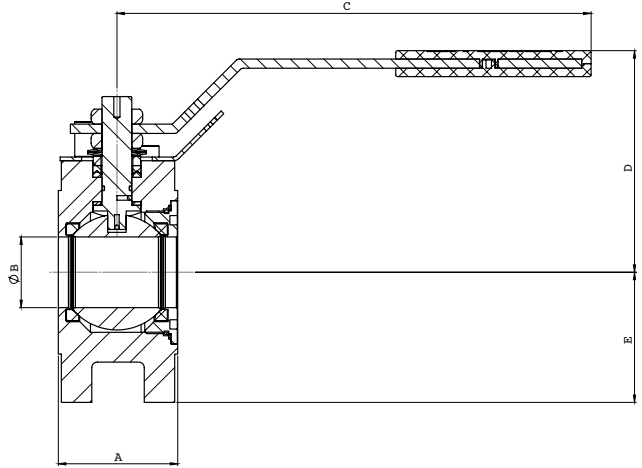
Top Mountings & Coppie ($\Delta p=0$) / Top Mountings & Torques ($\Delta p=0$)

Dimensione / Size	1 1/2"	2"	2 1/2"	3"	4"	5"	6"
ISO 5211 Nm	F05 33	F05 44	F07 77	F07 100	F10 165	F10 200	F10 230

**710F - Valvola a sfera flottante wafer fusa
ANSI 300**



**710F - Floating wafer cast ball valve
ANSI 300**



Dimensioni / Dimensions

Dimensioni in mm / Dimensions in mm

Dimensione / Size	1 1/2"	2"	2 1/2"	3"	4"	5"	6"
A	64,2	80,2	104,2	118,2	150	182	236
B	∅38	∅49	∅62	∅74	∅100	∅118	∅150
C	260	260	333	333	427	427	472
D	119	127	147,5	158	174	189	227
E	70	75	90	102,5	115	127,5	165
Peso Weight kg.	5	6	12	17	23	30	68

Top Mountings & Coppie ($\Delta p=0$) / Top Mountings & Torques ($\Delta p=0$)

Dimensione / Size	1 1/2"	2"	2 1/2"	3"	4"	5"	6"
ISO 5211 Nm	F05 33	F05 44	F07 77	F07 100	F10 165	F10 200	F10 230