



## Compensatori assiali flangiati tipo FA PN40

### Materiali standard

- Soffietto: ASTM A 240 tp.321
- Flange: UNI 6084: Fe 410 B, ASTM A 105

### Note

Nella tabella sono riportati i nostri compensatori standard, senza però rappresentare il limite di costruzione. Garantiamo i nostri giunti per 1000 cicli.

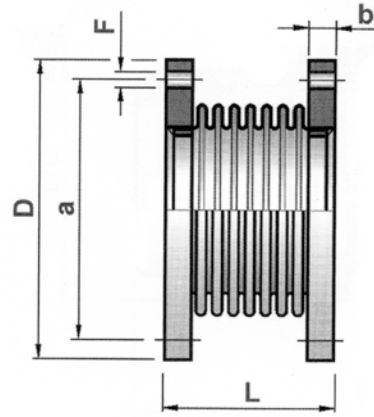
## Axial expansion joints with flanged ends type FA PN40

### Standard materials

- Bellows: ASTM A 240 tp.321
- Flanges: UNI 6084: Fe 410 B, ASTM A 105

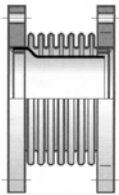
### Note

In the chart are showed our standard expansion joints, without representing however limit of construction. Our joints are guarantee for 1000 cycles.

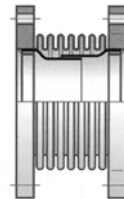


Tipo / Type FA

### A richiesta / On request



Tipo / Type FA/C



Tipo / Type FA/2C

DN	L mm	D mm	b mm	a mm	N° x F N°x mm	Corsa / movement			Rigidezza Assiale Axial spring rate +/- 20% N/mm	Area Media Media Area cm <sup>2</sup>
						Tot. mm	+ mm	- mm		
40	132	150	18	110	4x18	25	9	16	459	26
50	117	165	20	125	4x18	21	7	14	471	38
	107					7	12	549		
	96					5	10	659		
65	136	185	24	145	8x18	25	9	12	528	58
	123					7	13	616		
	112					5	10	739		
80	143	200	26	160	8x18	25	9	16	599	77
	130					7	13	699		
	118					5	10	838		
100	161	235	26	190	8x22	33	11	22	532	122
	134					9	16	749		
	121					5	10	899		

**Compensatori assiali flangiati tipo FA PN40 / Axial expansion joints with flanged ends type FA PN40**

DN	L mm	D mm	b mm	a mm	N° x F N°x mm	Corsa / movement			Rigidezza Assiale Axial spring rate +/- 20% N/mm	Area Media Media Area cm <sup>2</sup>
						Tot. mm	+ mm	- mm		
125	170	270	28	220	8x25	33	11	22	741	174
	156					25	9	16	847	
	142					15	5	10	989	
150	180	300	30	250	8x25	33	11	22	863	246
	165					25	9	16	986	
	151					15	5	10	1151	
200	217	375	36	320	12x30	36	12	24	1075	348
	176					20	7	13	1535	
250	237	450	44	385	12x33	45	15	30	1346	545
	194					33	11	22	1923	
300	212	515	48	450	16x33	33	11	22	2335	756
	180					23	8	15	3269	
350	224	580	54	510	16x36	33	11	22	2558	925
	192					23	8	15	3623	
400	236	660	60	585	16x39	33	11	22	2962	1208
	204					23	8	15	4146	
450	360	685	60	610	20x39	80	28	52	1805	1596
	340					60	21	39	2281	
	310					40	15	25	3095	
500	360	755	62	670	20x42	100	33	67	2093	1970
	340					60	21	39	2667	
	310					40	15	25	3636	
600	360	890	64	795	20x48	100	33	67	2427	2827
	330					60	21	39	3173	
	300					40	15	25	4363	
700	360	995	64	900	24x48	100	33	67	2888	3881
	330					60	21	39	3760	
	300					40	15	25	5279	
800	380	1140	68	1030	24x56	100	33	67	3350	5089
	350					60	21	39	4436	
	300					40	15	25	6282	
900	380	1250	72	1140	28x56	100	33	67	4053	6447
	330					60	21	39	5411	
	300					40	15	25	8103	
1000	420	1360	76	1250	28x56	100	33	67	4985	7980
	390					70	27	43	6655	
	350					45	18	27	9885	