



Compensatori assiali flangiati tipo FA PN2,5 Materiali standard

- Soffietto: ASTM A 240 tp.321
- Flange: UNI 6082 PN 2,5: Fe 410 B, ASTM A 105

Note

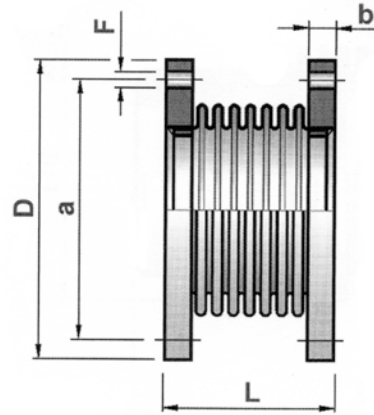
Nella tabella sono riportati i nostri compensatori standard, senza però rappresentare il limite di costruzione. Garantiamo i nostri giunti per 1000 cicli.

Axial expansion joints with flanged ends type FA PN2,5 Standard materials

- Bellows: ASTM A 240 tp.321
- Flanges: UNI 6082 PN 2,5: Fe 410 B, ASTM A 105

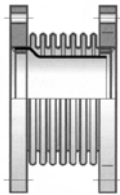
Note

In the chart are showed our standard expansion joints, without representing however limit of construction. Our joints are guarantee for 1000 cycles.

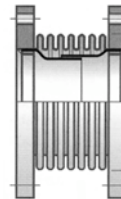


Tipo / Type FA

A richiesta / On request



Tipo / Type FA/C



Tipo / Type FA/2C

DN	L mm	D mm	b mm	a mm	N° x F N°x mm	Corso / movement			Rigidezza Assiale Axial spring rate +/- 20% N/mm	Area Media Media Area cm ²
						Tot. mm	+ mm	- mm		
40	113	130	14	100	4x14	45	15	30	102	28
	97					35	12	23	128	
	82					25	9	16	171	
50	126	140	14	110	4x14	45	15	30	114	40
	101					35	12	23	157	
	84					25	9	16	209	
65	132	160	14	130	4x14	50	17	33	224	62
	124					40	14	26	345	
	103					30	10	20	443	
80	141	190	16	150	4x14	55	18	37	141	80
	132					45	15	30	139	
	100					35	12	23	185	
100	177	210	16	170	4x18	60	20	40	104	139
	154					50	17	33	125	
	144					40	14	26	156	

Compensatori assiali flangiati tipo FA PN2,5 / Axial expansion joints with flanged ends type FA PN2,5

DN	L mm	D mm	b mm	a mm	N° x F N°x mm	Corsa / movement			Rigidità Assiale Axial spring rate +/- 20% N/mm	Area Media Media Area cm ²
						Tot. mm	+ mm	- mm		
125	190	240	18	200	8x18	60	20	40	216	188
	166					50	17	33	259	
	153					40	14	26	324	
150	204	265	20	225	8x18	60	20	40	253	263
	178					50	17	33	298	
	165					40	14	26	373	
200	186	320	20	280	8x18	50	16	34	247	356
	167					30	10	20	296	
250	186	375	20	335	12x18	50	16	34	309	556
	167					30	10	20	371	
300	157	440	22	395	12x22	60	20	40	222	774
	140					40	14	26	285	
350	157	490	22	445	12x22	60	20	40	246	946
	140					40	14	26	317	
400	157	540	22	495	16x22	60	20	40	283	1232
	140					40	14	26	364	
450	200	595	22	550	16x22	90	32	58	145	1597
	170					70	25	45	219	
	125					40	15	25	305	
500	235	645	22	600	20x22	80	26	54	245	1971
	170					50	18	32	294	
	125					40	15	25	350	
600	240	755	24	705	20x25	90	35	55	222	2856
	200					70	25	45	335	
	150					40	15	25	570	
700	230	860	26	810	24x25	90	35	55	292	3921
	160					70	25	45	460	
	110					40	15	25	585	
800	270	975	30	920	24x30	100	35	65	335	5135
	230					60	20	40	500	
	110					40	15	25	640	
900	270	1075	32	1020	24x30	100	35	65	378	6498
	200					60	20	40	548	
	110					40	13	27	793	
1000	280	1175	34	1120	28x30	100	35	65	421	8037
	230					70	23	47	610	
	120					45	15	30	799	
1200	315	1375	36	1320	32x30	120	47	73	379	11576
	240					80	30	50	506	
	190					50	22	28	961	