

Compensatori assiali flangiati tipo FA PN16

Materiali standard

- Soffietto: ASTM A 240 tp.321
- Flange: UNI 2278: Fe 410 B, ASTM A 105

Note

Nella tabella sono riportati i nostri compensatori standard, senza però rappresentare il limite di costruzione. Garantiamo i nostri giunti per 1000 cicli.

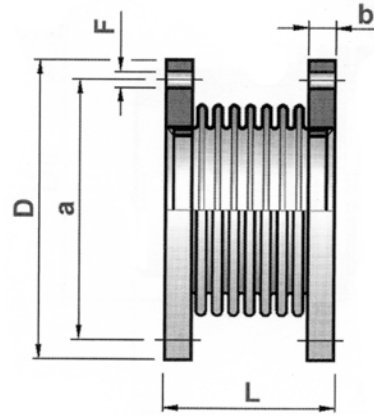
Axial expansion joints with flanged ends type FA PN16

Standard materials

- Bellows: ASTM A 240 tp.321
- Flanges: UNI 2278: Fe 410 B, ASTM A 105

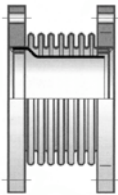
Note

In the chart are showed our standard expansion joints, without representing however limit of construction. Our joints are guarantee for 1000 cycles.

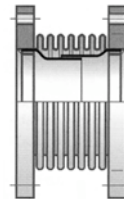


Tipo / Type FA

A richiesta / On request



Tipo / Type FA/C



Tipo / Type FA/2C

DN	L mm	D mm	b mm	a mm	N° x F N°x mm	Corsa / movement			Rigidezza Assiale Axial spring rate +/- 20% N/mm	Area Media Media Area cm ²
						Tot. mm	+ mm	- mm		
40	110	150	16	110	4x18	25	9	16	110	25
	93					20	7	13	140	
	83					15	5	10	164	
50	118	165	18	125	4x18	30	10	20	109	38
	90					25	9	16	163	
	81					20	7	13	196	
65	132	185	18	145	4x18	30	10	20	128	58
	110					25	9	16	165	
	100					20	7	13	192	
80	140	200	20	160	8x18	30	12	23	158	76
	129					25	10	20	177	
	117					20	9	16	203	
100	155	220	22	180	8x18	40	13	27	176	124
	142					35	12	23	198	
	130					30	10	20	226	

Compensatori assiali flangiati tipo FA PN16 / Axial expansion joints with flanged ends type FA PN16

DN	L mm	D mm	b mm	a mm	N° x F N°x mm	Corsa / movement			Rigidezza Assiale Axial spring rate +/- 20% N/mm	Area Media Media Area cm ²
						Tot. mm	+ mm	- mm		
125	164	250	24	210	8x18	40	13	27	204	179
	151					35	12	23	229	
	138					30	10	20	262	
150	172	285	24	240	8x22	40	13	27	246	251
	158					35	12	23	276	
	144					30	10	20	316	
200	196	340	26	295	12x22	45	15	30	390	353
	145					30	10	20	613	
250	207	405	32	355	12x25	45	15	30	506	594
	157					30	10	20	795	
300	190	460	32	410	12x25	50	16	34	360	769
	150					30	10	20	480	
350	198	520	36	470	16x25	50	16	34	400	940
	158					30	10	20	533	
400	202	580	38	525	16x30	50	16	34	458	1225
	162					30	10	20	611	
450	260	640	40	585	20x30	90	32	58	339	1600
	220					70	25	45	452	
	170					40	15	25	632	
500	250	715	42	650	20x33	80	26	54	615	2000
	175					50	18	32	800	
	160					40	15	25	1055	
600	270	840	44	770	20x36	90	35	55	650	2900
	240					70	25	45	767	
	180					40	15	25	1180	
700	270	910	46	840	24x36	90	35	55	695	3900
	220					70	25	45	894	
	170					40	15	25	1296	
800	350	1025	48	950	24x39	100	35	65	737	5163
	260					60	20	40	1024	
	180					40	15	25	1474	
900	390	1125	50	1050	28x39	100	35	65	828	6528
	260					60	20	40	1151	
	200					40	13	27	1645	
1000	390	1255	50	1170	28x42	100	35	65	960	8071
	290					70	23	47	1280	
	190					45	15	30	1984	
1200	425	1485	52	1390	32x48	120	47	73	1240	11530
	330					80	30	50	1670	
	250					50	22	28	2450	