

Compensatori assiali flangiati tipo FA PN10

Materiali standard

- Soffietto: ASTM A 240 tp.321
- Flange: UNI 2277: Fe 410 B, ASTM A 105

Note

Nella tabella sono riportati i nostri compensatori standard, senza però rappresentare il limite di costruzione. Garantiamo i nostri giunti per 1000 cicli.

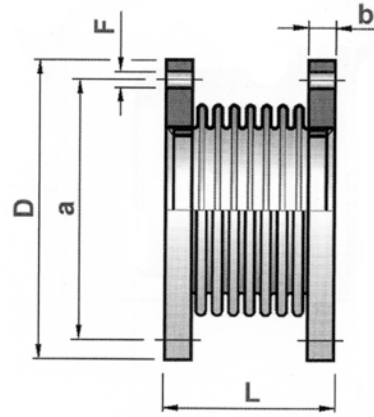
Axial expansion joints with flanged ends type FA PN10

Standard materials

- Bellows: ASTM A 240 tp.321
- Flanges: UNI 2277: Fe 410 B, ASTM A 105

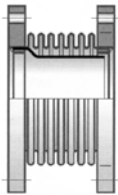
Note

In the chart are showed our standard expansion joints, without representing however limit of construction. Our joints are guarantee for 1000 cycles.

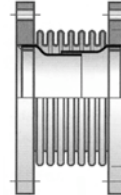


Tipo / Type FA

A richiesta / On request



Tipo / Type FA/C



Tipo / Type FA/2C

| DN | L mm | D mm | b mm | a mm | N° x F N°x mm | Corsa / movement | | | Rigidezza Assiale Axial spring rate +/- 20% N/mm | Area Media Media Area cm ² |
|-----|---------|---------|---------|---------|------------------|------------------|------|------|--|---|
| | | | | | | Tot. mm | + mm | - mm | | |
| 40 | 110 | 150 | 16 | 110 | 4x18 | 33 | 11 | 22 | 148 | 25 |
| | 93 | | | | | 9 | 18 | 190 | | |
| | 83 | | | | | 7 | 14 | 222 | | |
| 50 | 118 | 165 | 18 | 125 | 4x18 | 39 | 13 | 26 | 146 | 38 |
| | 100 | | | | | 10 | 20 | 188 | | |
| | 81 | | | | | 7 | 14 | 264 | | |
| 65 | 132 | 185 | 18 | 145 | 4x18 | 45 | 15 | 30 | 173 | 58 |
| | 110 | | | | | 11 | 22 | 222 | | |
| | 90 | | | | | 8 | 16 | 311 | | |
| 80 | 140 | 200 | 20 | 160 | 4x18 | 42 | 14 | 28 | 313 | 76 |
| | 118 | | | | | 11 | 22 | 273 | | |
| | 96 | | | | | 9 | 16 | 383 | | |
| 100 | 155 | 220 | 22 | 180 | 8x18 | 40 | 13 | 27 | 176 | 124 |
| | 142 | | | | | 12 | 23 | 198 | | |
| | 130 | | | | | 10 | 20 | 226 | | |

Compensatori assiali flangiati tipo FA PN10 / Axial expansion joints with flanged ends type FA PN10

| DN | L mm | D mm | b mm | a mm | N° x F N°x mm | Corsa / movement | | | Rigidezza Assiale Axial spring rate +/- 20% N/mm | Area Media Media Area cm ² |
|------|---------|---------|---------|---------|------------------|------------------|------|------|--|---|
| | | | | | | Tot. mm | + mm | - mm | | |
| 125 | 164 | 250 | 24 | 210 | 8x18 | 40 | 13 | 27 | 204 | 179 |
| | 151 | | | | | 35 | 12 | 23 | 229 | |
| | 138 | | | | | 30 | 10 | 20 | 262 | |
| 150 | 172 | 285 | 24 | 240 | 8x22 | 40 | 13 | 27 | 246 | 251 |
| | 158 | | | | | 35 | 12 | 23 | 276 | |
| | 144 | | | | | 30 | 10 | 20 | 316 | |
| 200 | 196 | 340 | 26 | 295 | 8x22 | 45 | 15 | 30 | 390 | 353 |
| | 145 | | | | | 30 | 10 | 20 | 613 | |
| 250 | 200 | 395 | 28 | 350 | 12x22 | 45 | 15 | 30 | 506 | 594 |
| | 150 | | | | | 30 | 10 | 20 | 795 | |
| 300 | 181 | 445 | 28 | 400 | 12x22 | 50 | 16 | 34 | 360 | 769 |
| | 142 | | | | | 30 | 10 | 20 | 480 | |
| 350 | 185 | 505 | 30 | 460 | 16x22 | 50 | 16 | 34 | 400 | 940 |
| | 146 | | | | | 30 | 10 | 20 | 533 | |
| 400 | 189 | 565 | 32 | 515 | 16x25 | 50 | 16 | 34 | 458 | 1225 |
| | 150 | | | | | 30 | 10 | 20 | 611 | |
| 450 | 260 | 615 | 32 | 565 | 20x25 | 90 | 32 | 58 | 339 | 1600 |
| | 220 | | | | | 70 | 25 | 45 | 452 | |
| | 170 | | | | | 40 | 15 | 25 | 632 | |
| 500 | 250 | 670 | 34 | 620 | 20x25 | 80 | 26 | 54 | 615 | 2000 |
| | 175 | | | | | 50 | 18 | 32 | 800 | |
| | 160 | | | | | 40 | 15 | 25 | 1055 | |
| 600 | 270 | 780 | 36 | 725 | 20x30 | 90 | 35 | 55 | 650 | 2900 |
| | 240 | | | | | 70 | 25 | 45 | 767 | |
| | 180 | | | | | 40 | 15 | 25 | 1180 | |
| 700 | 270 | 895 | 38 | 840 | 24x30 | 90 | 35 | 55 | 695 | 3900 |
| | 220 | | | | | 70 | 25 | 45 | 894 | |
| | 170 | | | | | 40 | 15 | 25 | 1296 | |
| 800 | 350 | 1015 | 40 | 950 | 24x33 | 100 | 35 | 65 | 737 | 5163 |
| | 260 | | | | | 60 | 20 | 40 | 1024 | |
| | 180 | | | | | 40 | 15 | 25 | 1474 | |
| 900 | 390 | 1115 | 42 | 1050 | 28x33 | 100 | 35 | 65 | 828 | 6528 |
| | 260 | | | | | 60 | 20 | 40 | 1151 | |
| | 200 | | | | | 40 | 13 | 27 | 1645 | |
| 1000 | 390 | 1230 | 44 | 1160 | 28x36 | 100 | 35 | 65 | 960 | 8071 |
| | 290 | | | | | 70 | 23 | 47 | 1280 | |
| | 190 | | | | | 45 | 15 | 30 | 1984 | |
| 1200 | 425 | 1455 | 46 | 1380 | 32x39 | 120 | 47 | 73 | 1240 | 11530 |
| | 330 | | | | | 80 | 30 | 50 | 1670 | |
| | 250 | | | | | 50 | 22 | 28 | 2450 | |