

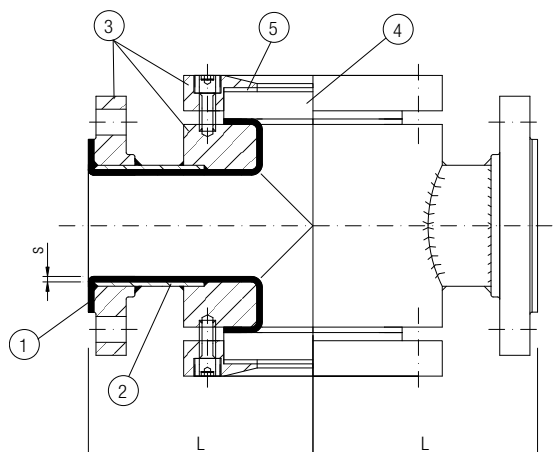


### Spie visive rivestite in PTFE

- ASME/ANSI B16.5 Class 150
- DN 1" - DN 16"
- Versione standard: flange fisse
- Corpo in acciaio al carbonio

### PTFE-lined bull's eye sight indicators

- ASME/ANSI B16.5 Class 150
- DN 1" - DN 16"
- Standard version: fixed flanges
- Carbon steel body



#### Materiali/Materials

- |   |                            |
|---|----------------------------|
| 1 | PTFE ASTM D-4894           |
| 2 | St 37.0 - DIN 1629         |
| 3 | ASTM A 105                 |
| 4 | Vetro DIN 7080/Sight glass |
| 5 | Diflex                     |

#### Fornibili a richiesta/Available on request

- Flange ANSI B16.5 - Classe 300/ANSI B16.5 - Class 300 flange
- Resistenti al vuoto/Vacuum resistance
- PTFE antistatico/PTFE conductive
- Corpo in acc. inox/Stainless steel body
- Diametri superiori a richiesta/Higher diameters on request

DN	L mm	s mm	Peso ca. kg/Weight
1"	89	4,0	3,8
1 1/4"	95	4,0	4,8
1 1/2"	102	4,0	6,3
2"	114	4,0	10,0
2 1/2"	127	4,0	14,5
3"	140	4,0	23,0
4"	165	4,5	39,0
5"	190	5,0	59
6"	203	6,0	83
8"	229	6,0	122
10"	280	5,2	166
12"	305	6,5	232
14"	357	6,5	320
16"	406	6,5	380