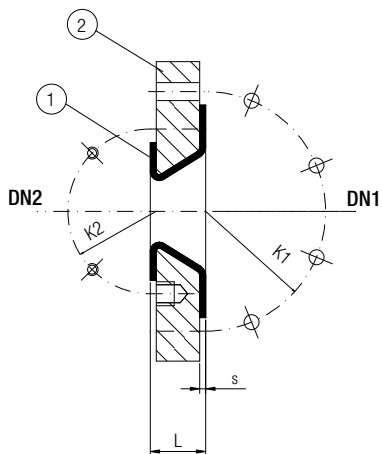


## Flange ridotte rivestite in PTFE

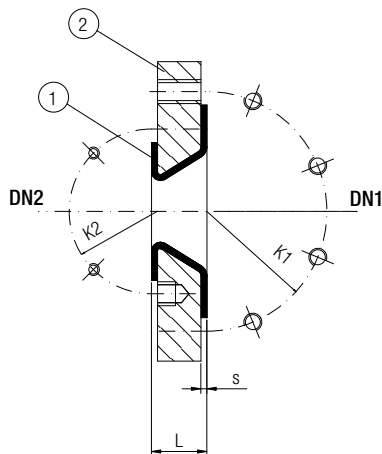
- ASME/ANSI B16.5 Classe 150
- DN 1" - DN 24"
- Corpo in acciaio al carbonio

## PTFE-lined reducing flanges

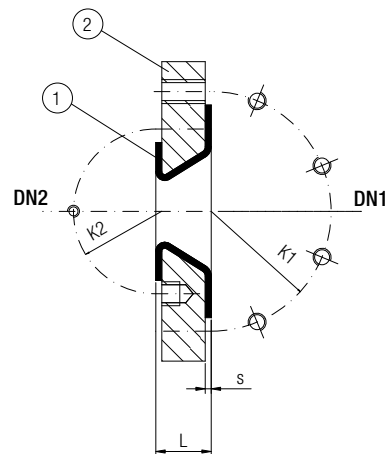
- ASME/ANSI B16.5 Class 150
- DN 1" - DN 24"
- Carbon steel body



Type A



Type B



Type C

### Fornibili a richiesta/Available on request

- Possibile tipo eccentrico/ Eccentric type possible
- Flange ANSI B16.5 - Classe 300/ANSI B16.5 - Class 300 flange
- Resistenza al vuoto/Vacuum resistance
- PTFE antistatico/Antistatic PTFE
- Corpo in acc. INOX/Stainless steel body
- Diametri superiori a richiesta/Higher diameters on request

### Materiali/Materials

- 1** PTFE ASTM D-4894
- 2.1** ASTM A 105
- 2.2** St 37.2 - DIN 17100

**Nota:** Quote k1 e k2 vedi dimensionale (pag. 1)

**Note:** k1 and k2 dimensions, see dimension table (pag. 1)

DN1	DN2	L mm	s ± 10% mm	Type	Peso ca. kg/Weight
1"	1/2"	35	3,5	C	2,1
	3/4"				2,4
1 1/4"	3/4"	35	3,5	C	3,9
	1"				3,5
1 1/2"	3/4"	35	4,0	C	4,0
	1"				4,1
	1 1/4"				3,9
2"	3/4"	35	4,0	B	5,0
	1"			B	4,9
	1 1/2"			C	5,1
2 1/2"	1"	35	4,0	A	5,9
	1 1/2"			B	5,6
	2"			C	5,6



## Flange ridotte rivestite in PTFE

- ASME/ANSI B16.5 Classe 150

## PTFE-lined reducing flanges

- ASME/ANSI B16.5 Class 150

DN1	DN2	L mm	s ± 10% mm	Tipo/Type	Peso ca. kg/Weight
3"	1"	35	4/3,5	A	6,8
	1 1/2"		4	B	6,6
	2"		4	C	6,4
	2 1/2"		4	C	6,2
4"	1"	45	4,5/3,5	A	12
	1 1/2"		4,5/4		12
4"	2"	45	4,5/4	A	12
	3"			B	10
5"	1"	45	4,5/3,5	A	16
	1 1/2"		4,5/4	A	15
	2"		4,5/4	A	14
	3"		4,5/4	B	13
	4"		4,5/4	C	13
6"	1"	45	5/3,5	A	22
	1 1/2"		5/4	A	20
	2"		5/4	A	19
	3"		5/4	A	18
	4"		5/4,5	B	17
	5"		5/4,5	C	16
8"	1"	45	5/3,5	A	29
	2"		5/3,5		28
	3"		5/4		27
	4"		5/4,5		25
	6"		5		23
10"	2"	45	6/4	A	28
	3"		6/4	A	24
	4"		6/4	A	22
	6"		5	A	19
	8"		5	B	16
12"	2"	50	6/4	A	44
	3"		6/4	A	38
	4"		6/4	A	36
	6"		6/4	A	31
	8"		6/4	A	28
	10"		5,5	B	24
14"	2"	50	6/4	A	56
	3"		6/4	A	50
	4"		6/4	A	47
	6"		6/4	A	42
	8"		6/4	A	38
	10"		6	A	35
	12"		6	C	33



## Flange ridotte rivestite in PTFE

- ASME/ANSI B16.5 Classe 150

## PTFE-lined reducing flanges

- ASME/ANSI B16.5 Class 150

DN1	DN2	L mm	s ± 10% mm	Tipo/Type	Peso ca. kg/Weight
16"	3"	50	6/4	A	71
	4"		6/4	A	68
	6"		6/4	A	62
	8"		6/4	A	60
	10"		6/4	A	55
	12"		6	A	49
	14"		6	B	40
18"	4"	50	6/4	A	77
	6"				72
	8"				70
18"	10"	50	6/4	A	66
	12"		6/4	A	58
	14"		6/4	B	49
	16"		6	C	44
20"	4"	50	6/4	A	93
	6"			A	87
	8"			A	86
	10"			A	85
	12"			A	77
	14"			A	70
	16"			B	62
24"	6"	50	6/4	A	139
	8"			A	131
	10"			A	128
	12"			A	121
	14"			A	105
	16"			A	93
	18"			A	84
	20"			B	78