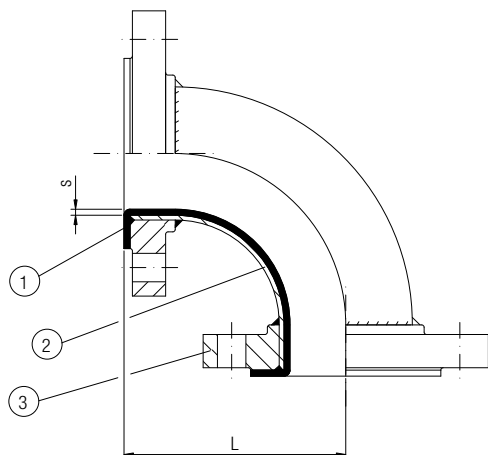




Curve a 90° rivestite in PTFE

- ASME/ANSI B16.5 Classe 150
- DN 1/2" - DN 24"
- Versione standard: 2 flange fisse
- Corpo in acciaio al carbonio
- Per grossi diametri soluzione in 2 o 3 parti



PTFE-lined elbows 90°

- ASME/ANSI B16.5 Class 150
- DN 1/2" - DN 24"
- Standard version: 2 fixed flanges
- Carbon steel body
- For big diameters solutions in 2 or 3 parts

Materiali/Materials

- | | |
|------------|--------------------------|
| 1 | PTFE ASTM D-4894 or 4895 |
| 2.1 | ASTM A 106 |
| 2.2 | St 37.0 - DIN 2448 |
| 3 | ASTM A 105 |

Fornibili a richiesta/Available on request

- Connessioni flangiate:
1 flangia fissa e 1 flangia libera o 2 flange libere
Flange connection:
1 fixed flange and 1 loose flange or 2 loose flanges
- ANSI B16.5 - Classe 300/ANSI B16.5 - Class 300
- Resistenti al vuoto/Vacuum resistance
- PTFE antistatico/Antistatic PTFE
- Corpo in acc. inox/Stainless steel body
- Diametri superiori a richiesta/Higher diameters on request

DN	L mm	s mm	Peso ca. kg/Weight
1/2"	65	3,0	1,5
3/4"	75	3,0	2,1
1"	89	3,0	2,7
1 1/4"	95	4,0	4,0
1 1/2"	102	4,0	4,6
2"	114	4,0	6,4
2 1/2"	127	4,0	9,0
3"	140	4,0	12
4"	165	4,5	19
5"	190	5,0	22
6"	203	8,0	36
8"	229	9,0	57
10"	279	13,0	82
12"	305	10,0	98
14"	546	6,5	150
16"	610	12	139
18"	673	6,5	225
20"	736	13	167
24"	864	6,5	395