

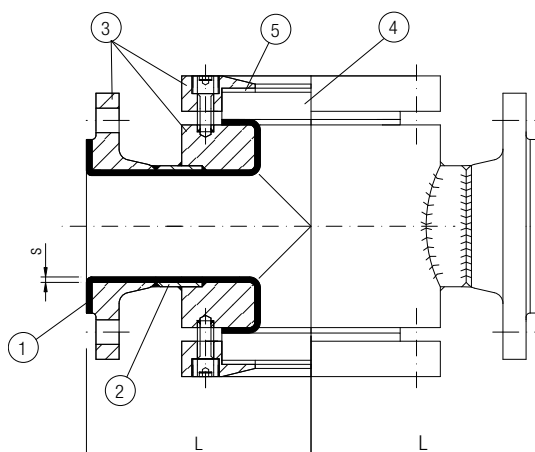


## Spie visive rivestite in PTFE

- DIN 2848/2874
- DN 25 - DN 400
- Versione standard: 2 flange fisse
- Corpo in acciaio al carbonio

## PTFE-lined bull's eye sight indicators

- DIN 2848/2874
- DN 25 - DN 400
- Standard version: 2 fixed flanges
- Carbon steel body



### Materiali/Materials

- |   |                            |
|---|----------------------------|
| 1 | PTFE ASTM D-4894           |
| 2 | St 37.0 - DIN 1629         |
| 3 | St 37.2 - DIN 17100        |
| 4 | Vetro/Sight glass DIN 7080 |
| 5 | Diflex                     |

### Fornibili a richiesta/Available on request

- Accoppiamento con flange libere e flange fisse  
*Coupling with loose flanges and fixed flanges*
- Resistenti al vuoto/*Vacuum resistance*
- PTFE antistatico/*PTFE conductive*
- Corpo in acc. inox/*Stainless steel body*
- Diametri superiori a richiesta/*Higher diameters on request*

DN	L mm	s mm	Peso ca. kg/Weight
25	110	4,0	3,8
32	130	4,0	4,8
40	150	4,0	6,3
50	120	4,0	10,0
65	140	4,0	14,5
80	165	4,0	23,0
100	205	4,5	39,0
125	245	4,5	59
150	285	5	83
200	365	5	122
250	450	5	166
300	525	5	232
350	600	5	320
400	680	5	380