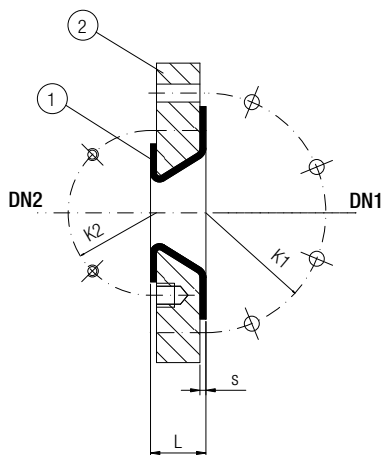


Flange ridotte rivestite in PTFE

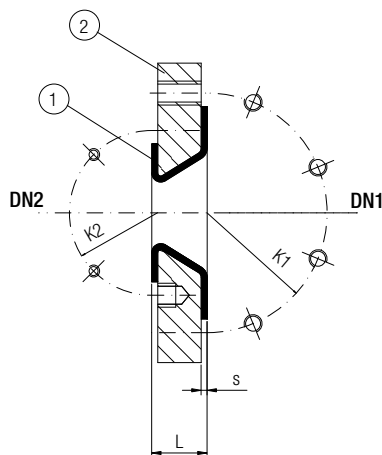
- DIN 2848/2874
- DN 20 - DN 600, PN 10
- Corpo in acciaio al carbonio

PTFE-lined reducing flanges

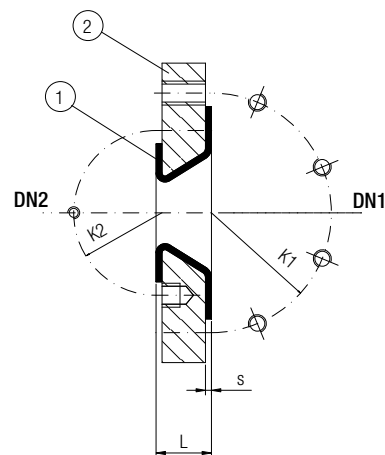
- DIN 2848/2874
- DN 20 - DN 600, PN 10
- Carbon steel body



Type A



Type B



Type C

Fornibili a richiesta/Available on request

- Possibile tipo eccentrico/Eccentric type possible
- Resistenza al vuoto/Vacuum resistance
- PTFE antistatico/Antistatic PTFE
- Corpo in acc. INOX/Stainless steel body
- Diametri superiori a richiesta/Higher diameters on request

Materiali/Materials

- 1 PTFE ASTM D-4894 or 4895
- 2 St 37.2 DIN 17100

Nota: Quote k1 e k2 vedi dimensionale (pag. 1)

Note: k1 and k2 dimensions, see dimension table (pag. 1)

DN1	DN2	L mm	s mm	Type	Peso ca. kg/Weight
20	15	35	3	C	2,0
25	20	35	3,5	C	2,4
32	20	35	3,5	C	3,9
	25				3,5
40	20	35	4,0	C	4,0
	25				4,1
	32				3,9
50	20	35	4,0	B	5,0
	25			B	4,9
	32			C	5,0
	40			C	5,1
65	25	35	4,0	B	5,9
	32			B	5,8
	40			C	5,6
	50			C	5,6



Flange ridotte rivestite in PTFE

- DIN 2848/2874

PTFE-lined reducing flanges

- DIN 2848/2874

DN1	DN2	L mm	s ± 10% mm	Type	Peso ca. kg/ Weight
80	25	35	4/3,5	A	6,8
	32		4/3,5	B	6,7
	40		4	B	6,6
	50		4	B	6,4
	65		4	B	6,2
100	25	45	4,5/3,5	A	12
	32		4,5/3,5	B	12
	40		4,5/4	B	12
	50		4,5/4	B	12
	80		4,5/4	C	10
125	25	45	4,5/3,5	A	16
	32		4,5/3,5	A	16
	40		4,5/4	A	15
	50		4,5/4	A	14
	80		4,5/4	B	13
	100		4,5/4	C	13
150	25	45	5/3,5	A	22
	32		5/3,5	A	21
	40		5/4	A	20
	50		5/4	A	19
	80		5/4	A	18
	100		5/4,5	B	17
	125		5/4,5	C	16
200	25	45	5/3,5	A	29
	50		5/4	A	28
	80		5/4	A	27
	100		5/4,5	A	25
	150		5	B	23
250	50	45	6/4	A	28
	80		6/4	A	24
	100		6/4	A	22
	150		5	A	19
	200		5	B	16
300	50	50	6/4	A	44
	80		6/4	A	38
	100		6/4	A	36
	150		6/4	A	31
	200		5,5	A	28
	250		5,5	C	24



Flange ridotte rivestite in PTFE

- DIN 2848/2874

PTFE-lined reducing flanges

- DIN 2848/2874

DN1	DN2	L mm	s ± 10% mm	Type	Peso ca. kg/Weight
350	50	50	6/4	A	56
	80		6/4	A	50
	100		6/4	A	47
	150		6/4	A	42
	200		6/4	A	38
	250		6	A	35
	300		6	B	33
400	80	50	6/4	A	71
	100				68
	150				62
	200				60
	250				55
400	300	50	6	A	49
	350			B	40
450	100	50	6/4	A	77
	150		6/4	A	72
	200		6/4	A	70
	250		6/4	A	66
	300		6/4	A	58
	350		6/4	A	49
	400		6	B	44
500	100	50	6/4	A	93
	150			A	87
	200			A	86
	250			A	85
	300			A	77
	350			A	70
	400			A	62
	450			C	51
600	150	50	6,4	A	139
	200				131
	250				128
	300				121
	350				105
	400				93
	450				84
	500				78