

K5



NAUTILUS BALL IRON

VALVOLE A SFERA IN ACCIAIO

Valvole a sfera in acciaio al carbonio, acciaio inossidabile e leghe speciali per l'industria chimica, petrolchimica e oil & gas.

STEEL BALL VALVES

Ball valves in carbon steel, stainless steel and special alloys for the chemical, petro-chemical and oil & gas industries.

INDEX

- | | |
|---------------------------------------------------------------------------------------------------------------------------------------------------------------------|------------------------------------------------------------------------------------------------------------------------------------------------|
| K5.02 . 710N - Valvola a sfera flottante wafer forgiata
710N - Floating wafer forged ball valve | K5.18 . 750F - PN 16 & PN 40 |
| K5.03 . 710N - PN 16 & PN 40 | K5.20 . 750F - ANSI 150 & ANSI 300 |
| K5.05 . 710N - PN 63 & PN 100 | K5.22 . 760F - Valvola a sfera flottante split body fusa passaggio ridotto
760F - Floating split body cast ball valve reduced bore |
| K5.07 . 710N - ANSI 150 & ANSI 300 | K5.23 . 760F - PN 16 |
| K5.09 . 710N - ANSI 600 | K5.24 . 760F - PN 40 & ANSI 150 |
| K5.10 . 710F - Valvola a sfera flottante wafer fusa
710F - Floating wafer cast ball valve | K5.26 . 760F - ANSI 300 |
| K5.11 . 710F - PN 16 | K5.27 . 750N - Valvola a sfera flottante split body forgiata
passaggio totale
750N - Floating split body forged ball valve full bore |
| K5.12 . 710F - PN 40 & ANSI 150 | K5.28 . 750N - PN 16 & 40 |
| K5.14 . 710F - ANSI 300 | K5.30 . 750N - ANSI 150 & ANSI 300 |
| K5.15 . 720N - Valvola a sfera in 2 pezzi filettata corpo forgiato
passaggio totale
720N - Threaded floating 2 pieces ball valve forged
body full bore | K5.32 . 750N - ANSI 600 |
| K5.16 . 721N - Valvola a sfera in 2 pezzi filettata corpo forgiato
passaggio ridotto
721N - Threaded floating 2 pieces ball valve forged
body reduced bore | K5.33 . 760N - Valvola a sfera flottante split body forgiata
passaggio ridotto
760N - Floating split body forged ball valve reduced bore |
| K5.17 . 750F - Valvola a sfera flottante split body fusa
passaggio totale
750F - Floating split body cast ball valve full bore | K5.34 . 760N - PN 16 & PN 40 |
| | K5.36 . 760N - ANSI 150 & ANSI 300 |
| | K5.38 . 760N - ANSI 600 |

710N - Valvola a sfera flottante wafer forgiata

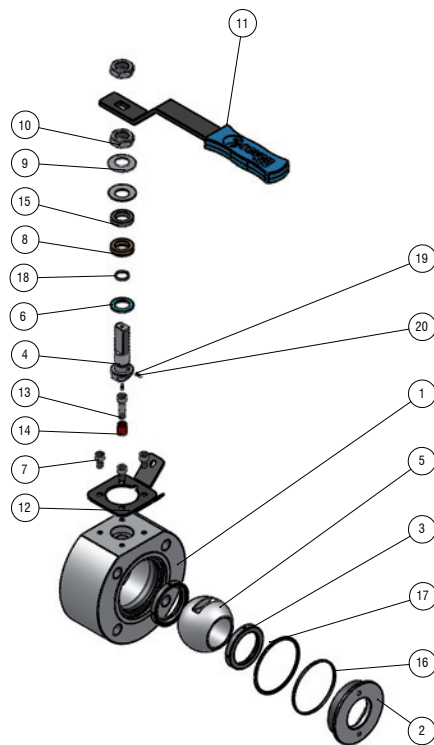
Rating:

- ANSI 150-600
- PN 16-100
- PN 6, PN 10, PN 25 disponibili a richiesta

710N - Floating wafer forged ball valve

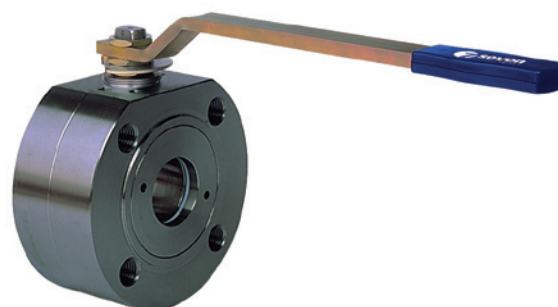
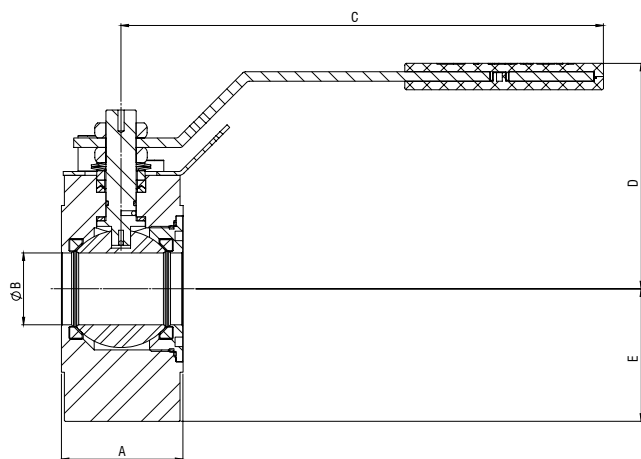
Rating:

- ANSI 150-600
- PN 16-100
- PN 6, PN 10, PN 25 available on request



Descrizione & Materiali / Description & Materials

POS	Descrizione / Description	Materiale / Material			Parti di ricambio / Spare parts (QTY)
1	Corpo / Body	A105	304	316	
2	Laterale / Closure	A105	304	316	
3	Sede / Seat	PTFE	171	171	2
4	Stelo / Stem	304	304	316	
5	Sfera / Ball	304	304	316	Su Richiesta / On Request
6	Guarnizione / Gasket	PTFE	PTFE	PTFE	1
7	Vite TE / TE Screw	8,8	8,8	8,8	
8	Pacco AV / Chevron	RPTFE	RPTFE	RPTFE	1
9	Molle a Tazza / Spring Washer	C72	C72	C72	Su Richiesta / On Request
10	Dado / Nut	6S	6S	6S	Su Richiesta / On Request
11	Leva / Anatomic Lever	Galv. Steel	Galv. Steel	Galv. Steel	Su Richiesta / On Request
12	Locking Device / Locking Device	FE410	FE410	FE410	
13	Vite TE / TE Screw	8,8	8,8	8,8	Su Richiesta / On Request
14	Dispositivo di Arresto / Lever Stop	FE410	FE410	FE410	Su Richiesta / On Request
15	Rondella / Washer	304	304	304	
16	Guarnizione / Gasket	Graphite	Graphite	Graphite	1
17	O-Ring / O-Ring	HNBR	HNBR	HNBR	1
18	O-Ring / O-Ring	HNBR	HNBR	HNBR	1
19	Molla Antistatica Antistatic Spring	304	304	316	
20	Sfera Antistatica Antistatic Ball	304	304	316	

**710N - Valvola a sfera flottante wafer forgiata
PN 16**
**710N - Floating wafer forged ball valve
PN 16**

Dimensioni / Dimensions

Dimensioni in mm / Dimensions in mm

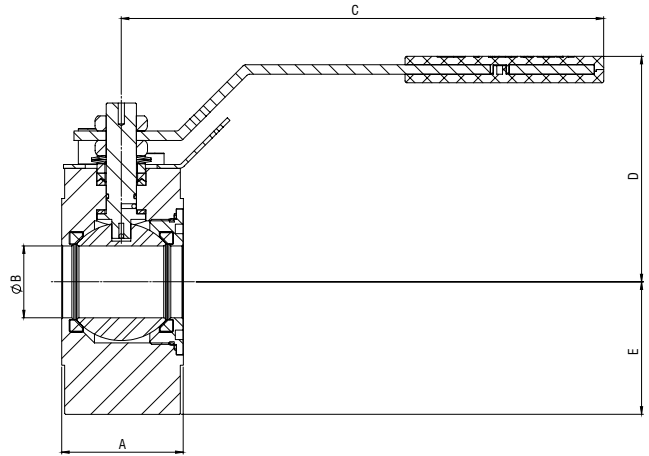
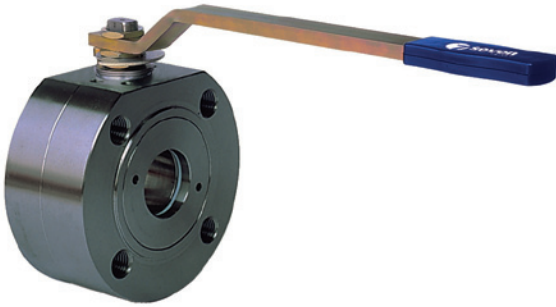
Dimensione / Size	DN 15	DN 20	DN 25	DN 32	DN 40	DN 50	DN 65	DN 80	DN 100	DN 125	DN 150
A	35,2	38,2	43,2	51,2	64,2	80,2	104,2	118,2	150	182	236
B	∅13	∅19	∅25	∅28	∅38	∅49	∅62	∅74	∅100	∅118	∅150
C	138,5	138,5	171	171	260	260	333	333	427	427	472
D	85	89	97	101	119	127	147,5	158	174	189	227
E	45	50	55	65	70	75	90	102,5	115	127,5	165
Peso Weight kg.	1,5	2,3	2,9	4	7	9	16	22	32	45	100

Top Mountings & Coppie ($\Delta p=0$) / Top Mountings & Torques ($\Delta p=0$)

Dimensione / Size	DN 15	DN 20	DN 25	DN 32	DN 40	DN 50	DN 65	DN 80	DN 100	DN 125	DN 150
ISO 5211 Nm	F03 8	F03 11	F03 15	F03 19	F05 33	F05 44	F05 77	F07 100	F10 165	F10 200	F10 230

**710N - Valvola a sfera flottante wafer forgiata
PN 40**

**710N - Floating wafer forged ball valve
PN 40**



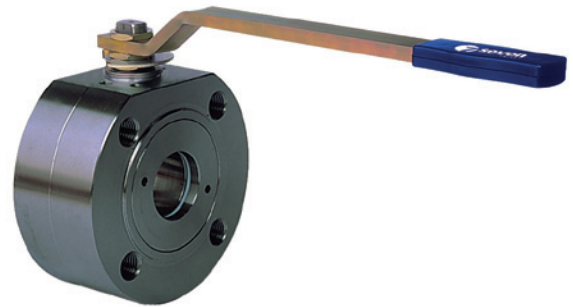
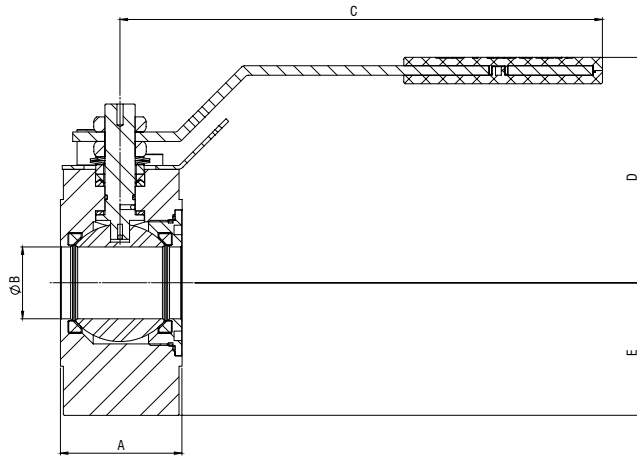
Dimensioni / Dimensions

Dimensioni in mm / Dimensions in mm

Dimensione / Size	DN 15	DN 20	DN 25	DN 32	DN 40	DN 50	DN 65	DN 80	DN 100	DN 125	DN 150
A	35,2	38,2	43,2	51,2	64,2	80,2	104,2	118,2	150	182	236
B	∅13	∅19	∅25	∅28	∅38	∅49	∅62	∅74	∅100	∅118	∅150
C	138,5	138,5	171	171	260	260	333	333	427	427	472
D	85	89	97	101	119	127	147,5	158	174	189	227
E	45	50	55	65	70	75	90	102,5	115	127,5	165
Peso Weight kg.	1,8	2,3	2,9	4	7	9	16	22	32	45	100

Top Mountings & Coppie ($\Delta p=0$) / Top Mountings & Torques ($\Delta p=0$)

Dimensione / Size	DN 15	DN 20	DN 25	DN 32	DN 40	DN 50	DN 65	DN 80	DN 100	DN 125	DN 150
ISO 5211 Nm	F03 8	F03 11	F03 15	F03 19	F05 33	F05 44	F05 77	F07 100	F10 165	F10 200	F10 230

**710N - Valvola a sfera flottante wafer forgiata
PN 63**
**710N - Floating wafer forged ball valve
PN 63**

Dimensioni / Dimensions

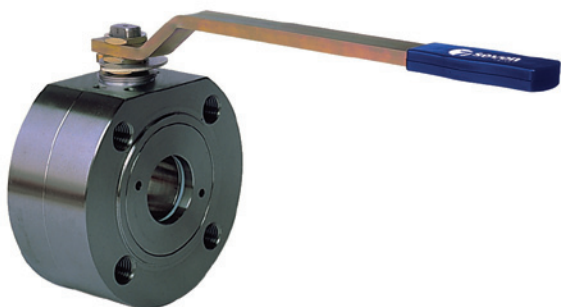
Dimensioni in mm / Dimensions in mm

Dimensione / Size	DN 15	DN 20	DN 25	DN 32	DN 40	DN 50	DN 65	DN 80	DN 100
A	35,2	38,2	43,2	51,2	64,2	80,2	104,2	118,2	150
B	∅13	∅19	∅25	∅28	∅38	∅49	∅62	∅74	∅100
C	138,5	138,5	171	171	260	260	333	333	427
D	85	89	97	111	134	147	159	168	194
E	45	50	55	75	85	95	105	112,2	132,5
Peso Weight kg.	1,8	2,3	2,9	7	10	16	20	31	43

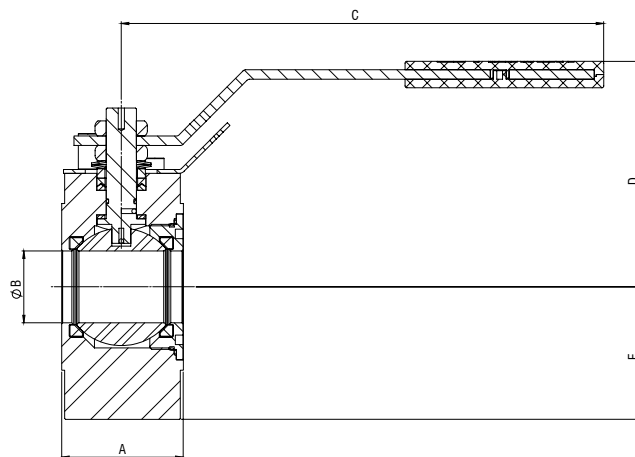
Top Mountings & Coppie ($\Delta p=0$) / Top Mountings & Torques ($\Delta p=0$)

Dimensione / Size	DN 15	DN 20	DN 25	DN 32	DN 40	DN 50	DN 65	DN 80	DN 100
ISO 5211 Nm	F03 8	F03 11	F03 15	F03 19	F05 33	F05 44	F05 77	F07 100	F10 165

**710N - Valvola a sfera flottante wafer forgiata
PN 100**



**710N - Floating wafer forged ball valve
PN 100**



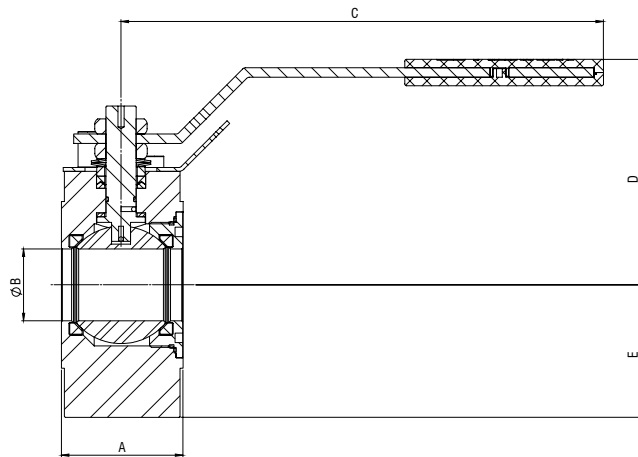
Dimensioni / Dimensions

Dimensioni in mm / Dimensions in mm

Dimensione / Size	DN 15	DN 20	DN 25	DN 32	DN 40	DN 50	DN 65	DN 80	DN 100
A	35,2	38,2	43,2	51,2	64,2	80,2	104,2	118,2	150
B	∅13	∅19	∅25	∅28	∅38	∅49	∅62	∅74	∅100
C	138,5	138,5	171	171	260	260	333	333	427
D	85	89	97	111	134	147	159	168	194
E	45	50	55	75	85	95	105	112,5	132,5
Peso Weight kg.	1,8	2,3	2,9	7	10	16	20	31	43

Top Mountings & Coppie ($\Delta p=0$) / Top Mountings & Torques ($\Delta p=0$)

Dimensione / Size	DN 15	DN 20	DN 25	DN 32	DN 40	DN 50	DN 65	DN 80	DN 100
ISO 5211 Nm	F03 8	F03 11	F03 15	F03 19	F05 33	F05 44	F05 77	F07 100	F10 165

**710N - Valvola a sfera flottante wafer forgiata
ANSI 150**
**710N - Floating wafer forged ball valve
ANSI 150**

Dimensioni / Dimensions

Dimensioni in mm / Dimensions in mm

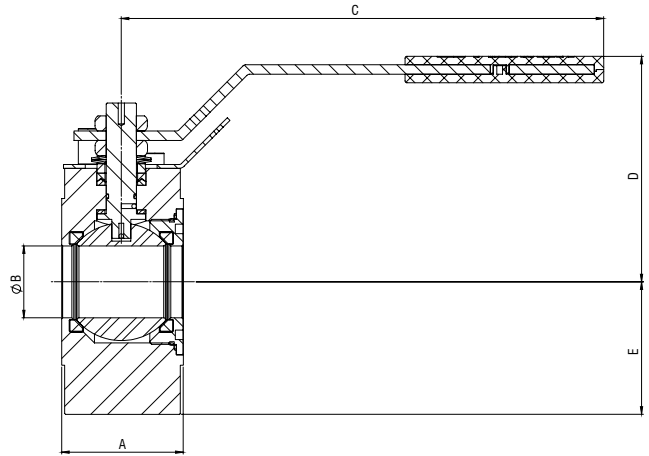
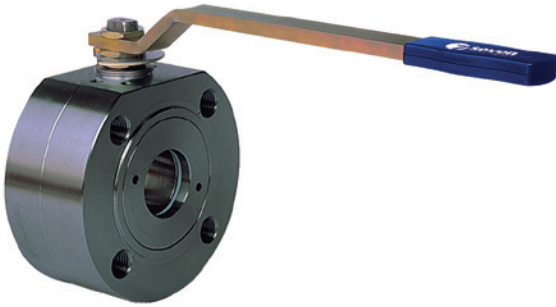
Dimensione / Size	1/2"	3/4"	1"	1 1/4"	1 1/2"	2"	2 1/2"	3"	4"	5"	6"
A	35,2	38,2	43,2	51,2	64,2	80,2	104,2	118,2	150	182	236
B	∅13	∅19	∅25	∅28	∅38	∅49	∅62	∅74	∅100	∅118	∅150
C	138,5	138,5	171	171	260	260	333	333	427	427	472
D	85	89	97	101	119	127	147,5	158	174	189	227
E	45	50	55	65	70	75	90	102,5	115	127,5	165
Peso Weight kg.	1,8	2,3	2,9	4	7	9	16	22	32	45	100

Top Mountings & Coppie ($\Delta p=0$) / Top Mountings & Torques ($\Delta p=0$)

Dimensione / Size	1/2"	3/4"	1"	1 1/4"	1 1/2"	2"	2 1/2"	3"	4"	5"	6"
ISO 5211 Nm	F03 8	F03 11	F03 15	F03 19	F05 33	F05 44	F05 77	F07 100	F10 165	F10 200	F10 230

**710N - Valvola a sfera flottante wafer forgiata
ANSI 300**

**710N - Floating wafer forged ball valve
ANSI 300**



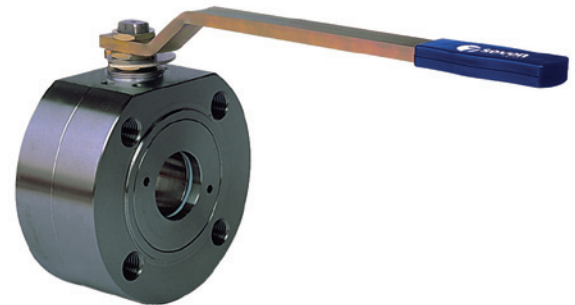
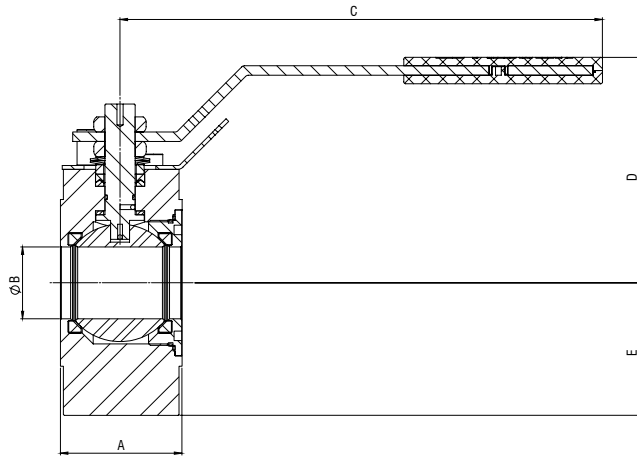
Dimensioni / Dimensions

Dimensioni in mm / Dimensions in mm

Dimensione / Size	1/2"	3/4"	1"	1 1/4"	1 1/2"	2"	2 1/2"	3"	4"	5"	6"
A	35,2	38,2	43,2	51,2	64,2	80,2	104,2	118,2	150	182	236
B	∅13	∅19	∅25	∅28	∅38	∅49	∅62	∅74	∅100	∅118	∅150
C	138,5	138,5	171	171	260	260	333	333	427	427	472
D	85	89	97	101	119	127	147,5	158	174	189	227
E	45	50	55	65	70	75	90	102,5	115	127,5	165
Peso Weight kg.	1,8	2,3	2,9	4	7	9	16	22	32	45	100

Top Mountings & Coppie ($\Delta p=0$) / Top Mountings & Torques ($\Delta p=0$)

Dimensione / Size	1/2"	3/4"	1"	1 1/4"	1 1/2"	2"	2 1/2"	3"	4"	5"	6"
ISO 5211 Nm	F03 8	F03 11	F03 15	F03 19	F05 33	F05 44	F05 77	F07 100	F10 165	F10 200	F10 230

**710N - Valvola a sfera flottante wafer forgiata
ANSI 600**
**710N - Floating wafer forged ball valve
ANSI 600**

Dimensioni / Dimensions

Dimensioni in mm / Dimensions in mm

Dimensione / Size	1/2"	3/4"	1"	1 1/4"	1 1/2"	2"	2 1/2"	3"	4"
A	35,2	38,2	43,2	51,2	64,2	80,2	104,2	118,2	150
B	∅13	∅19	∅25	∅28	∅38	∅49	∅62	∅74	∅100
C	138,5	138,5	171	171	260	260	333	333	427
D	85	89	97	101	119	127	151,5	168	192
E	45	50	55	65	70	75	94	112,5	132,5
Peso Weight kg.	1,8	2,3	2,9	4	7	9	18	24	50

Top Mountings & Coppie ($\Delta p=0$) / Top Mountings & Torques ($\Delta p=0$)

Dimensione / Size	1/2"	3/4"	1"	1 1/4"	1 1/2"	2"	2 1/2"	3"	4"
ISO 5211 Nm	F03 8	F03 11	F03 15	F03 19	F05 33	F05 44	F05 77	F07 100	F10 165

710F - Valvola a sfera flottante wafer fusa

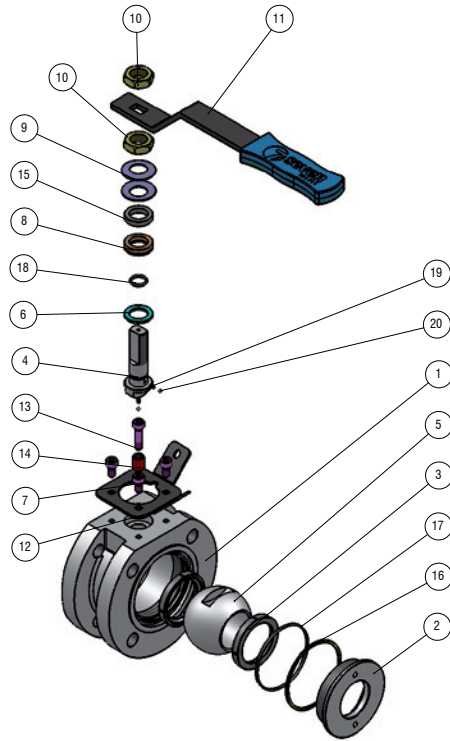
Rating:

- ANSI 150-300
- PN 16-40
- PN 6, PN 10, PN 25 disponibili a richiesta

710N - Floating wafer cast ball valve

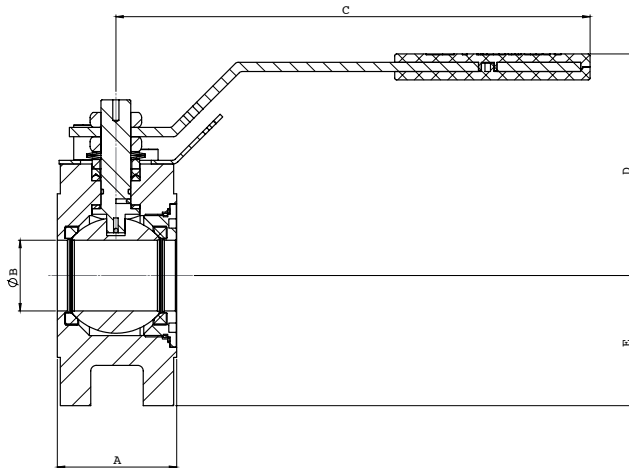
Rating:

- ANSI 150-300
- PN 16-40
- PN 6, PN 10, PN 25 available on request



Descrizione & Materiali / Description & Materials

POS	Descrizione / Description	Materiale / Material			Parti di ricambio / Spare parts (QTY)
1	Corpo / Body	WCB	CF8	CF8M	
2	Laterale / Closure	A105	304	316	
3	Sede / Seat	PTFE	171	171	2
4	Stelo / Stem	304	304	316	
5	Sfera / Ball	304	304	316	Su Richiesta / On Request
6	Guarnizione / Gasket	PTFE	PTFE	PTFE	1
7	Vite TE / TE Screw	8,8	8,8	8,8	
8	Pacco AV / Chevron	RPTFE	RPTFE	RPTFE	1
9	Molle a Tazza / Spring Washer	C72	C72	C72	Su Richiesta / On Request
10	Dado / Nut	6S	6S	6S	Su Richiesta / On Request
11	Leva / Anatomic Lever	Galv. Steel	Galv. Steel	Galv. Steel	Su Richiesta / On Request
12	Locking Device / Locking Device	FE410	FE410	FE410	
13	Vite TE / TE Screw	8,8	8,8	8,8	Su Richiesta / On Request
14	Dispositivo di Arresto / Lever Stop	FE410	FE410	FE410	Su Richiesta / On Request
15	Rondella / Washer	304	304	304	
16	Guarnizione / Gasket	Graphite	Graphite	Graphite	1
17	O-Ring / O-Ring	HNBR	HNBR	HNBR	1
18	O-Ring / O-Ring	HNBR	HNBR	HNBR	1
19	Molla Antistatica Antistatic Spring	304	304	316	
20	Sfera Antistatica / Antistatic Ball	304	304	316	

**710F - Valvola a sfera flottante wafer fusa
PN 16**
**710F - Floating wafer forged ball valve
PN 16**

Dimensioni / Dimensions

Dimensioni in mm / Dimensions in mm

Dimensione / Size	DN 40	DN 50	DN 65	DN 80	DN 100	DN 125	DN 150
A	64,2	80,2	104,2	118,2	150	182	236
B	∅38	∅49	∅62	∅74	∅100	∅118	∅150
C	260	260	333	333	427	427	472
D	119	127	148	158	174	189	227
E	70	75	94	102,5	115	135	165
Peso Weight kg.	5	6	12	17	23	30	68

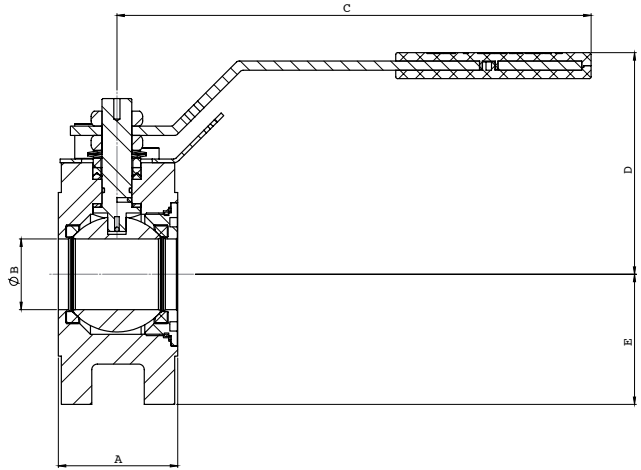
Top Mountings & Coppie ($\Delta p=0$) / Top Mountings & Torques ($\Delta p=0$)

Dimensione / Size	DN 40	DN 50	DN 65	DN 80	DN 100	DN 125	DN 150
ISO 5211 Nm	F05 33	F05 44	F07 77	F07 100	F10 165	F10 200	F10 230

**710F - Valvola a sfera flottante wafer fusa
PN 40**



**710F - Floating wafer cast ball valve
PN 40**



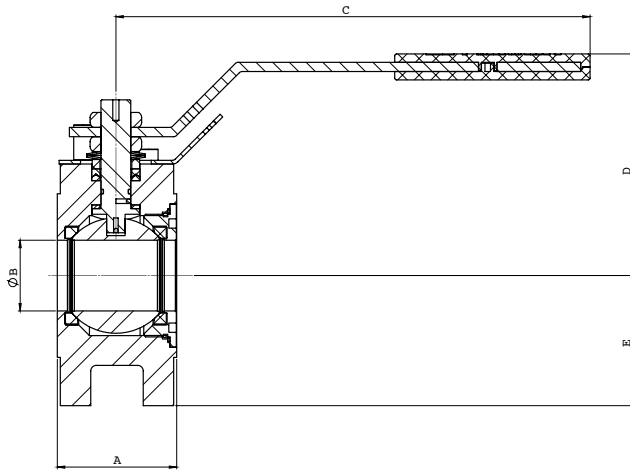
Dimensioni / Dimensions

Dimensioni in mm / Dimensions in mm

Dimensione / Size	DN 40	DN 50	DN 65	DN 80	DN 100	DN 125	DN 150
A	64,2	80,2	104,2	118,2	150	182	236
B	∅38	∅49	∅62	∅74	∅100	∅118	∅150
C	260	260	333	333	427	427	472
D	119	127	148	158	174	189	227
E	70	75	94	102,5	115	135	165
Peso Weight kg.	5	6	12	17	23	30	68

Top Mountings & Coppie ($\Delta p=0$) / Top Mountings & Torques ($\Delta p=0$)

Dimensione / Size	DN 40	DN 50	DN 65	DN 80	DN 100	DN 125	DN 150
ISO 5211 Nm	F05 33	F05 44	F07 77	F07 100	F10 165	F10 200	F10 230

**710N - Valvola a sfera flottante wafer fusa
ANSI 150**
**710N - Floating wafer cast ball valve
ANSI 150**

Dimensioni / Dimensions

Dimensioni in mm / Dimensions in mm

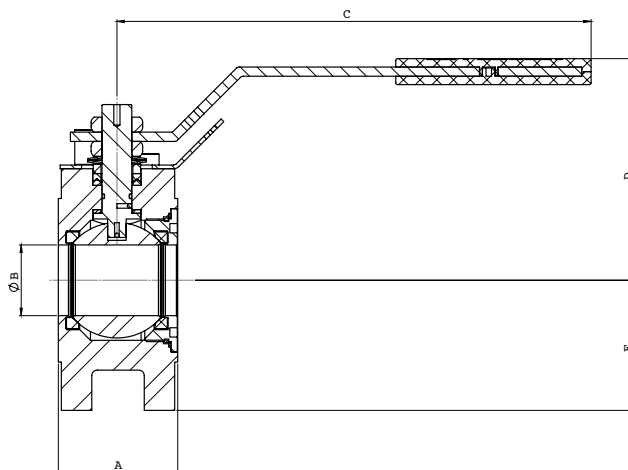
Dimensione / Size	1 1/2"	2"	2 1/2"	3"	4"	5"	6"
A	64,2	80,2	104,2	118,2	150	182	236
B	∅38	∅49	∅62	∅74	∅100	∅118	∅150
C	260	260	333	333	427	427	472
D	119	127	147,5	158	174	189	227
E	70	75	90	102,5	115	127,5	165
Peso Weight kg.	5	6	12	17	23	30	68

Top Mountings & Coppie ($\Delta p=0$) / Top Mountings & Torques ($\Delta p=0$)

Dimensione / Size	1 1/2"	2"	2 1/2"	3"	4"	5"	6"
ISO 5211 Nm	F05 33	F05 44	F07 77	F07 100	F10 165	F10 200	F10 230

**710F - Valvola a sfera flottante wafer fusa
ANSI 300**

**710F - Floating wafer cast ball valve
ANSI 300**



Dimensioni / Dimensions

Dimensioni in mm / Dimensions in mm

Dimensione / Size	1 1/2"	2"	2 1/2"	3"	4"	5"	6"
A	64,2	80,2	104,2	118,2	150	182	236
B	∅38	∅49	∅62	∅74	∅100	∅118	∅150
C	260	260	333	333	427	427	472
D	119	127	147,5	158	174	189	227
E	70	75	90	102,5	115	127,5	165
Peso Weight kg.	5	6	12	17	23	30	68

Top Mountings & Coppie ($\Delta p=0$) / Top Mountings & Torques ($\Delta p=0$)

Dimensione / Size	1 1/2"	2"	2 1/2"	3"	4"	5"	6"
ISO 5211 Nm	F05 33	F05 44	F07 77	F07 100	F10 165	F10 200	F10 230

**720N - Valvola a sfera in 2 pezzi filettata corpo forgiato
passaggio totale**

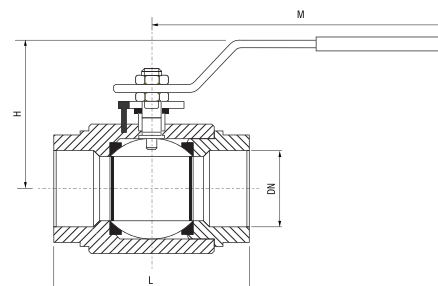
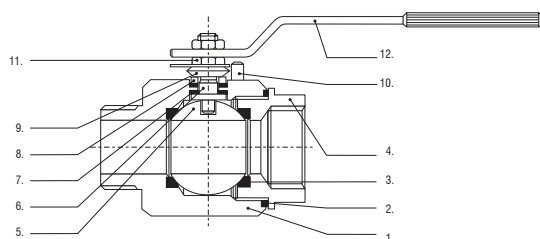
Rating: 800 - 3000 Ps.i.

**720N - Threaded floating 2 pieces ball valve
forged body full bore**

Rating: 800 - 3000 Ps.i.

Features disponibili / Available features:

- Nippli SW / Nipples with SW ends;
- Nippli BW / Nipples with BW ends;
- Nippli piani / Nipples with plain ends;
- Gas/Npt filettate maschio femmina / Gas/Npt male/female thread;
- Dispositivo di arresto / Locking device;
- ISO top mounting a richiesta / ISO top mounting on request.


Dimensioni / Dimensions

Dimensioni in mm / Dimensions in mm

Dimensione / Size	1/4"	3/8"	1/2"	3/4"	1"	1 1/4"	1 1/2"	2"
L	67	67	75	90	105	120	135	155
H	48	48	49	55	69	77	84	93
M	148	148	148	180	180	240	240	280
Peso / Weight kg.	0,6	0,6	0,8	1,5	2	3,3	4,5	6

Descrizione & Materiali / Description & Materials

POS	Descrizione / Description	Materiale / Material		Parti di ricambio / Spare parts (QTY)
1	Corpo / Body	ASTM A105	ASTM A 182 F 316	
2	Guarnizione Corpo / Body gasket	PTFE	PTFE	
3	Sede / Seat	RPTFE/Nylon	RPTFE/Nylon	1
4	Cap / Cap	ASTM A105	ASTM A 182 F 316	
5	Sfera / Ball	ASTM A 182 F 316	ASTM A 182 F 316	Su Richiesta / On Request
6	Stelo / Stem	ASTM A 182 F 316	ASTM A 182 F 316	
7	Stem Guarnizione / Stem gasket	PTFE	PTFE	1
8	Premibussola / Gland	Galvanized Steel	Galvanized Steel	
9	Rondella / Washer	C72	50 CrV4	
10	Fermo / Pin	Galvanized Steel	Galvanized Steel	Su Richiesta / On Request
11	Dado / Nut	A 194 Gr1	A 194 Gr1	
12	Leva / Lever	Galvanized Steel PVC Handle	Galvanized Steel PVC Handle	Su Richiesta / On Request

721N - Valvola a sfera in 2 pezzi filettata corpo forgiato passaggio ridotto

Rating: 800 - 3000 Ps.i.

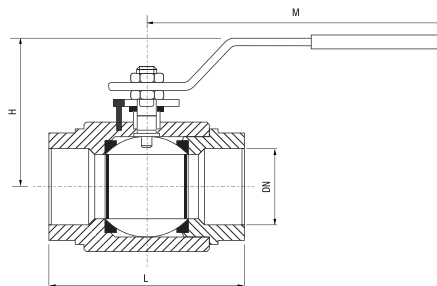
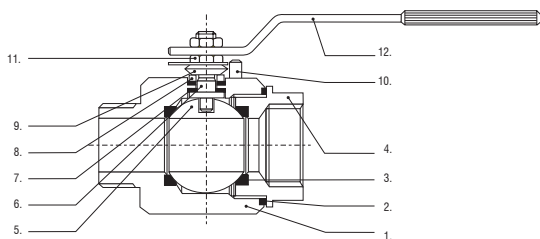


721N - Threaded floating 2 pieces ball valve forged body reduced bore

Rating: 800 - 3000 Ps.i.

Features disponibili / Available features:

- Nippli SW / Nipples with SW ends;
- Nippli BW / Nipples with BW ends;
- Nippli piani / Nipples with plain ends;
- Gas/Npt filettate maschio femmina / Gas/Npt male/female thread;
- Dispositivo di arresto / Locking device;
- ISO top mounting a richiesta / ISO top mounting on request.



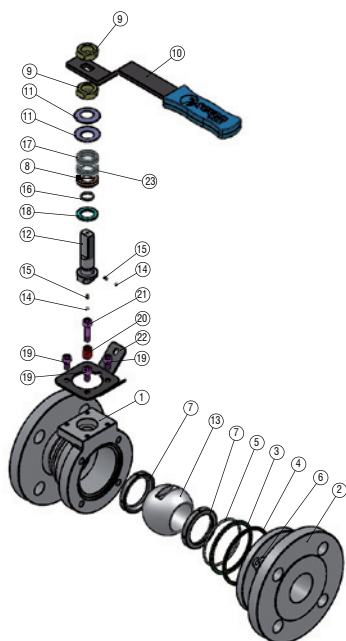
Dimensioni / Dimensions

Dimensioni in mm / Dimensions in mm

Dimensione / Size	3/8" x 1/4"	1/2" x 3/8"	3/4" x 1/2"	1" x 3/4"	1 1/4" x 1"	1 1/2" x 1 1/4"	2" x 1 1/2"
L	67	75	90	105	120	135	155
H	48	48	55	69	77	84	93
M	148	148	180	180	240	240	280
Peso / Weight kg.	0,6	0,6	0,8	1,5	2	3,3	4,5

Descrizione & Materiali / Description & Materials

POS	Descrizione / Description	Materiale / Material		Parti di ricambio / Spare parts (QTY)
1	Corpo / Body	ASTM A105	ASTM A 182 F 316	
2	Guarnizione Corpo / Body gasket	PTFE	PTFE	
3	Sede / Seat	RPTFE/Nylon	RPTFE/Nylon	1
4	Cap / Cap	ASTM A105	ASTM A 182 F 316	
5	Sfera / Ball	ASTM A 182 F 316	ASTM A 182 F 316	Su Richiesta / On Request
6	Stelo / Stem	ASTM A 182 F 316	ASTM A 182 F 316	
7	Stem Guarnizione / Stem gasket	PTFE	PTFE	1
8	Premibussola / Gland	Galvanized Steel	Galvanized Steel	
9	Rondella / Washer	C72	50 CrV4	
10	Fermo / Pin	Galvanized Steel	Galvanized Steel	Su Richiesta / On Request
11	Dado / Nut	A 194 Gr1	A 194 Gr1	
12	Leva / Lever	Galvanized Steel PVC Handle	Galvanized Steel PVC Handle	Su Richiesta / On Request



750F - Valvola a sfera flottante split body fusa passaggio totale

Rating:

- ANSI 150-300
- PN 16-40
- UNI 558-1 - ISO 14313
- PN 6, PN 10, PN 25 disponibili a richiesta

750F - Floating split body cast ball valve full bore

Rating:

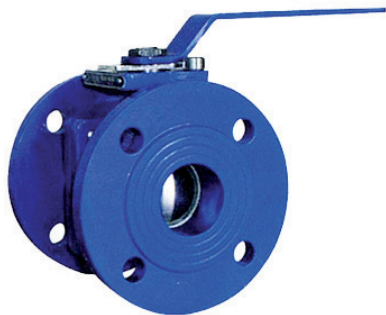
- ANSI 150-300
- PN 16-40
- UNI 558-1 - ISO 14313
- PN 6, PN 10, PN 25 available on request



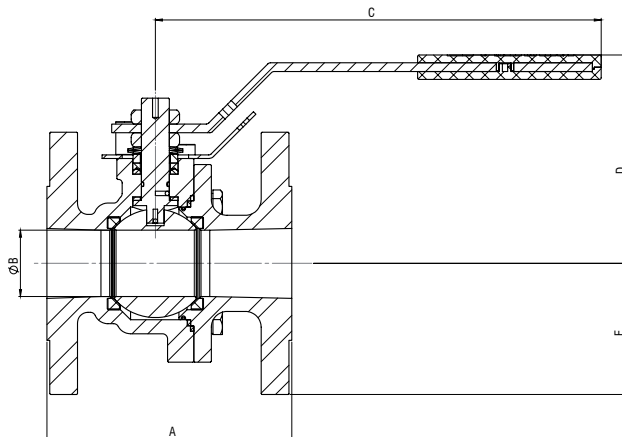
Descrizione & Materiali / Description & Materials

POS	Descrizione / Description	Materiale / Material			Parti di ricambio / Spare parts (QTY)
1	Corpo / Body	WCB	CF8	CF8M	
2	Laterale / Closure	WCB	CF8	CF8M	
3	Guarnizione / Gasket	PTFE	PTFE	PTFE	1
4	Guarnizione / Gasket	Graphite	Graphite	Graphite	1
5	O-Ring / O-Ring	HNBR	HNBR	HNBR	1
6	Vite TE / TE Screw	8,8	8,8	8,8	
7	Sede / Seat	PTFE	PTFE	PTFE	2
8	Pacco AV / Chevron	RPTFE	RPTFE	RPTFE	1
9	Dado / Nut	6S	6S	6S	Su Richiesta / On Request
10	Leva / Anatomic Lever	Galv.Steel	Galv.Steel	Galv.Steel	Su Richiesta / On Request
11	Molle a Tazza / Spring Washer	C72	C72	C72	Su Richiesta / On Request
12	Stelo / Stem	304	304	316	
13	Sfera / Ball	304	304	316	Su Richiesta / On Request
14	Sfera Antistatica / Antistatic Ball	304	304	316	
15	Molla Antistatica Antistatic Spring	304	304	316	
16	O-Ring / O-Ring	HNBR	HNBR	HNBR	1
17	Rondella / Washer	304	304	304	
18	Rondella / Washer	PTFE	PTFE	PTFE	1
19	Vite TE / TE Screw	8,8	8,8	8,8	
20	Dispositivo di Arresto / Lever Stop	FE410	FE410	FE410	Su Richiesta / On Request
21	Vite TE / TE Screw	8,8	8,8	8,8	Su Richiesta / On Request
22	Locking device / Locking device	FE410	FE410	FE410	
23	Guarnizione / Gasket	PTFE	PTFE	PTFE	1

**750F - Valvola a sfera flottante split body fusa passaggio totale
PN 16**



**750F - Floating split body cast ball valve full bore
PN 16**



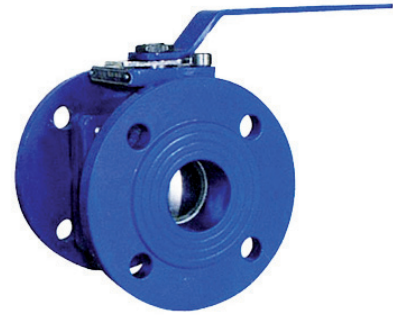
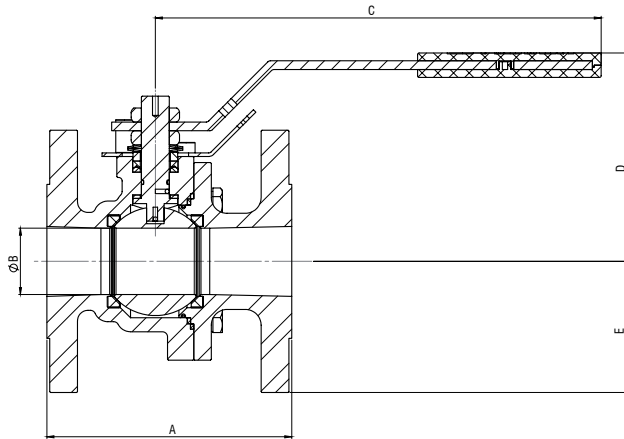
Dimensioni / Dimensions

Dimensioni in mm / Dimensions in mm

Dimensione / Size	DN 15	DN 20	DN 25	DN 32	DN 40	DN 50	DN 65	DN 80	DN 100	DN 125	DN 150	DN 200
A	115	120	125	132	140	150	165	180	190	325	350	400
B	∅13	∅19	∅25	∅28	∅38	∅49	∅62	∅74	∅100	∅118	∅150	∅200
C	138,5	138,5	171	171	260	260	333	333	427	427	472	
D	85	89	97	101	119	127	147,5	158	174	189	227	
E	47,5	52,5	57,5	70	75	82,5	92,5	100	110	125	142,5	170
Peso Weight kg.	2,4	3,2	4,2	5,6	8	14,5	16	20	28	48	70	167,5

Top Mountings & Coppie ($\Delta p=0$) / Top Mountings & Torques ($\Delta p=0$)

Dimensione / Size	DN 15	DN 20	DN 25	DN 32	DN 40	DN 50	DN 65	DN 80	DN 100	DN 125	DN 150	DN 200
ISO 5211 Nm	F03 8	F03 11	F03 15	F03 19	F05 33	F05 44	F07 77	F07 100	F07 165	F10 200	F10 230	F10 350

750F - Valvola a sfera flottante split body fusa passaggio totale PN 40
750F - Floating split body cast ball valve full bore PN 40

Dimensioni / Dimensions

Dimensioni in mm / Dimensions in mm

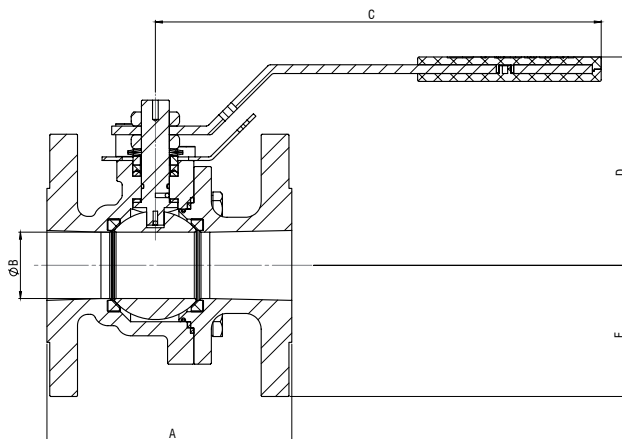
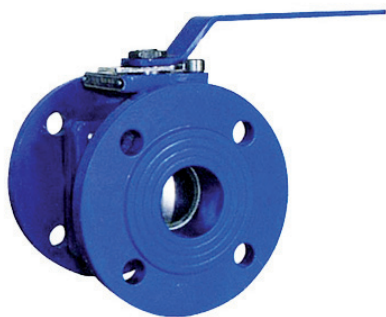
Dimensione / Size	DN 15	DN 20	DN 25	DN 32	DN 40	DN 50	DN 65	DN 80	DN 100	DN 125	DN 150
A	115	120	125	132	140	150	165	180	190	325	350
B	Ø13	Ø19	Ø25	Ø28	Ø38	Ø49	Ø62	Ø74	Ø100	Ø118	Ø150
C	138,5	138,5	171	171	260	260	333	333	427	427	472
D	85	89	97	101	119	127	147,5	158	174	189	227
E	47,5	52,5	57,5	70	75	82,5	92,5	100	117,5	135	150
Peso Weight kg.	2,4	3,2	4,2	5,6	8	14,5	16	20	28	48	70

Top Mountings & Coppie ($\Delta p=0$) / Top Mountings & Torques ($\Delta p=0$)

Dimensione / Size	DN 15	DN 20	DN 25	DN 32	DN 40	DN 50	DN 65	DN 80	DN 100	DN 125	DN 150
ISO 5211 Nm	F03 8	F03 11	F03 15	F03 19	F05 33	F05 44	F07 77	F07 100	F07 165	F10 200	F10 230

750F - Valvola a sfera flottante split body fusa passaggio totale ANSI 150

750F - Floating split body cast ball valve full bore ANSI 150



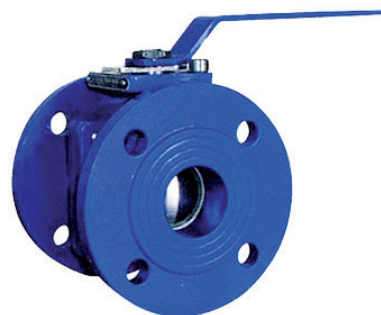
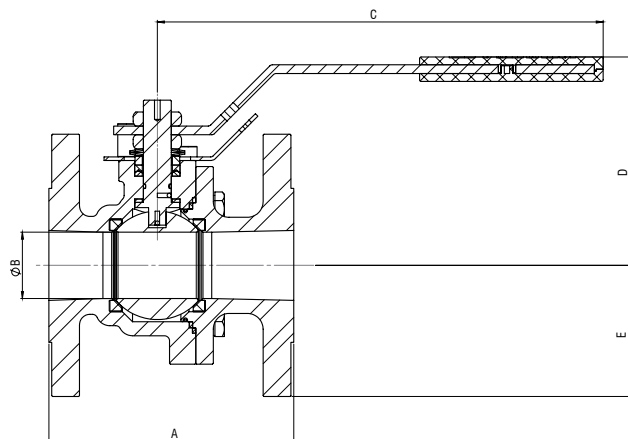
Dimensioni / Dimensions

Dimensioni in mm / Dimensions in mm

Dimensione / Size	1/2"	3/4"	1"	1 1/2"	2"	3"	4"	6"
A RF	108	117	127	165	178	203	229	394
A RTJ	---	---	140	178	191	216	241	406
A BW	108	117	165	190	216	283	305	457
B	∅13	∅19	∅25	∅38	∅49	∅74	∅100	∅150
C	138,5	138,5	171	260	260	333	427	472
D	85	89	97	119	127	158	174	227
E	44,5	49,2	54	63,5	76,2	95,2	114,3	139,7
Peso Weight kg.	2,7	3,6	4,5	9	14,3	25	34	91

Top Mountings & Coppie ($\Delta p=0$) / Top Mountings & Torques ($\Delta p=0$)

Dimensione / Size	1/2"	3/4"	1"	1 1/2"	2"	3"	4"	6"
ISO 5211 Nm	F03 8	F03 11	F03 15	F05 33	F05 44	F07 100	F10 165	F10 230

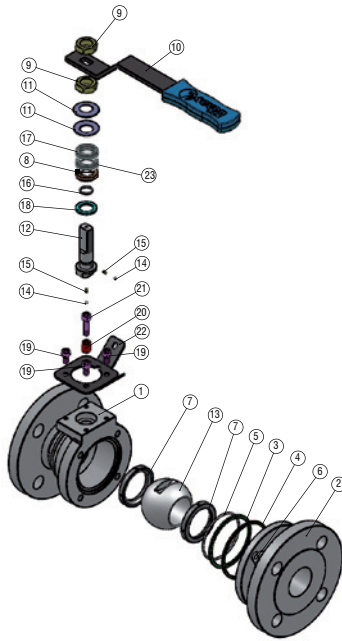
750F - Valvola a sfera flottante split body fusa passaggio totale ANSI 300
750F - Floating split body cast ball valve full bore ANSI 300

Dimensioni / Dimensions

Dimensioni in mm / Dimensions in mm

Dimensione / Size	1/2"	3/4"	1"	1 1/2"	2"	3"	4"	6"
A RF	140	152	165	190	216	283	305	403
A RTJ	---	---	178	203	232	298	321	419
A BW	140	152	165	190	216	283	305	457
B	∅13	∅19	∅25	∅38	∅49	∅74	∅100	∅150
C	138,5	138,5	171	260	260	333	427	472
D	85	89	97	119	127	158	174	227
E	47,6	58,8	61,9	77,8	132,5	104,8	127	158,8
Peso Weight kg.	4	5,2	6,8	14	19	38	54	130

Top Mountings & Coppie ($\Delta p=0$) / Top Mountings & Torques ($\Delta p=0$)

Dimensione / Size	1/2"	3/4"	1"	1 1/2"	2"	3"	4"	6"
ISO 5211 Nm	F03 8	F03 11	F03 15	F05 33	F05 44	F07 100	F10 165	F10 230



760F - Valvola a sfera flottante split body fusa passaggio ridotto

Rating:

- ANSI 150-300
- PN 16-40
- UNI 558-1 - ISO 14313
- PN 6, PN 10, PN 25 disponibili a richiesta

760F - Floating split body cast ball valve reduced bore

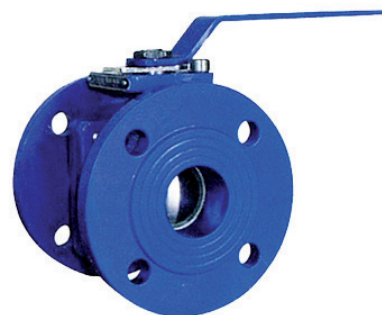
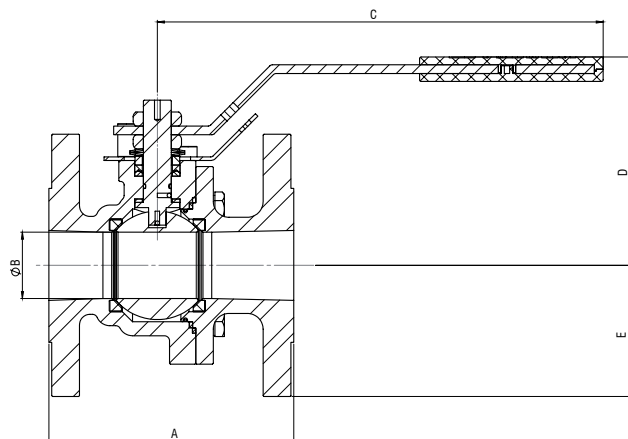
Rating:

- ANSI 150-300
- PN 16-40
- UNI 558-1 - ISO 14313
- PN 6, PN 10, PN 25 available on request



Descrizione & Materiali / Description & Materials

POS	Descrizione / Description	Materiale / Material			Parti di ricambio / Spare parts (QTY)
1	Corpo / Body	WCB	CF8	CF8M	
2	Laterale / Closure	WCB	CF8	CF8M	
3	Guarnizione / Gasket	PTFE	PTFE	PTFE	1
4	Guarnizione / Gasket	Graphite	Graphite	Graphite	1
5	O-Ring / O-Ring	HNBR	HNBR	HNBR	1
6	Vite TE / TE Screw	8,8	8,8	8,8	
7	Sede / Seat	PTFE	PTFE	PTFE	2
8	Pacco AV / Chevron	RPTFE	RPTFE	RPTFE	1
9	Dado / Nut	6S	6S	6S	Su Richiesta / On Request
10	Leva / Anatomic Lever	Galv.Steel	Galv.Steel	Galv.Steel	Su Richiesta / On Request
11	Molle a Tazza / Spring Washer	C72	C72	C72	Su Richiesta / On Request
12	Stelo / Stem	304	304	316	
13	Sfera / Ball	304	304	316	Su Richiesta / On Request
14	Sfera Antistatica / Antistatic Ball	304	304	316	
15	Molla Antistatica Antistatic Spring	304	304	316	
16	O-Ring / O-Ring	HNBR	HNBR	HNBR	1
17	Rondella / Washer	304	304	304	
18	Rondella / Washer	PTFE	PTFE	PTFE	1
19	Vite TE / TE Screw	8,8	8,8	8,8	
20	Dispositivo di Arresto / Lever Stop	FE410	FE410	FE410	Su Richiesta / On Request
21	Vite TE / TE Screw	8,8	8,8	8,8	Su Richiesta / On Request
22	Locking device / Locking device	FE410	FE410	FE410	
23	Guarnizione / Gasket	PTFE	PTFE	PTFE	1

**760F - Valvola a sfera flottante split body fusa passaggio ridotto
PN 16**
**760F - Floating split body cast ball valve reduced bore
PN 16**

Dimensioni / Dimensions

Dimensioni in mm / Dimensions in mm

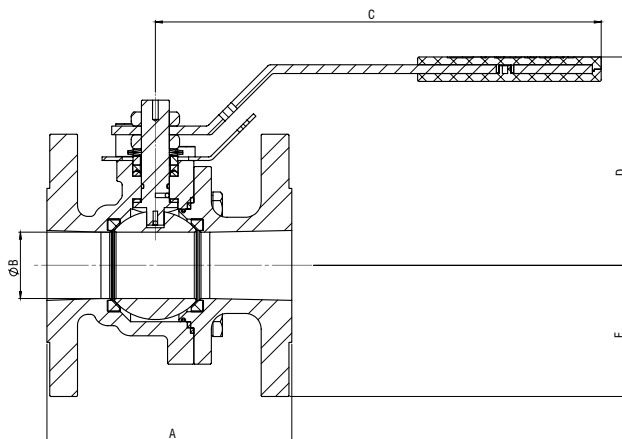
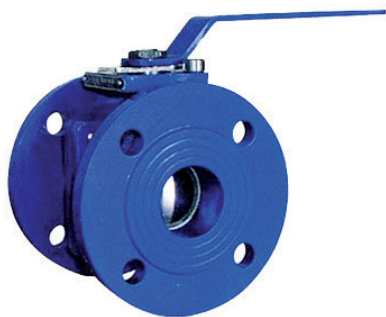
Dimensione / Size	DN 50	DN 65	DN 80	DN 100	DN 150
A	150	165	180	190	350
B	Ø38	Ø62	Ø49	Ø74	Ø100
C	260	333	333	427	472
D	127	148	158	174	227
E	82,5	92,5	100	110	142,5
Peso Weight kg.	11	17,2	21	24,4	77

Top Mountings & Coppie ($\Delta p=0$) / Top Mountings & Torques ($\Delta p=0$)

Dimensione / Size	DN 50	DN 65	DN 80	DN 100	DN 150
ISO 5211 Nm	F05 44	F07 77	F07 100	F10 165	F10 230

760F - Valvola a sfera flottante split body fusa passaggio ridotto
PN 40

760F - Floating split body cast ball valve reduced bore
PN 40



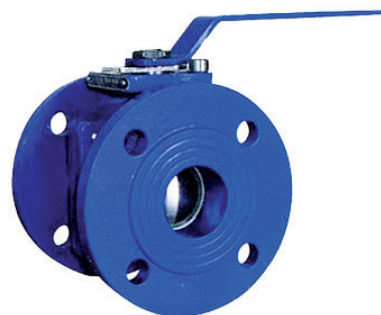
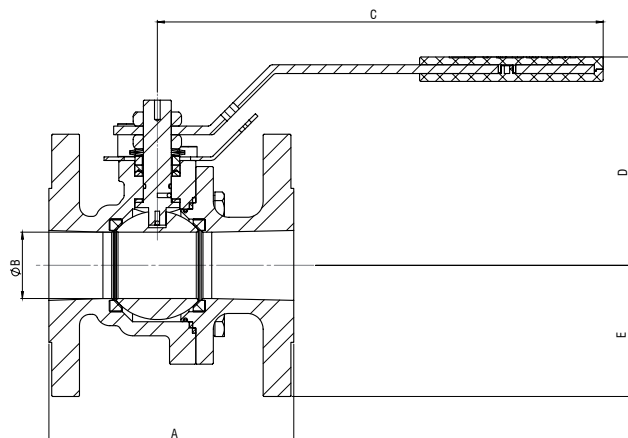
Dimensioni / Dimensions

Dimensioni in mm / Dimensions in mm

Dimensione / Size	DN 50	DN 65	DN 80	DN 100	DN 150
A	150	165	180	190	350
B	∅38	∅49	∅62	∅74	∅118
C	260	333	333	427	472
D	127	148	158	174	227
E	82,5	92,5	100	117,5	150
Peso Weight kg.	11	17,2	21	24,4	96

Top Mountings & Coppie ($\Delta p=0$) / Top Mountings & Torques ($\Delta p=0$)

Dimensione / Size	DN 50	DN 65	DN 80	DN 100	DN 150
ISO 5211 Nm	F05 44	F07 77	F07 100	F10 165	F10 230

760F - Valvola a sfera flottante split body fusa passaggio ridotto ANSI 150
760F - Floating split body cast ball valve reduced bore ANSI 150

Dimensioni / Dimensions

Dimensioni in mm / Dimensions in mm

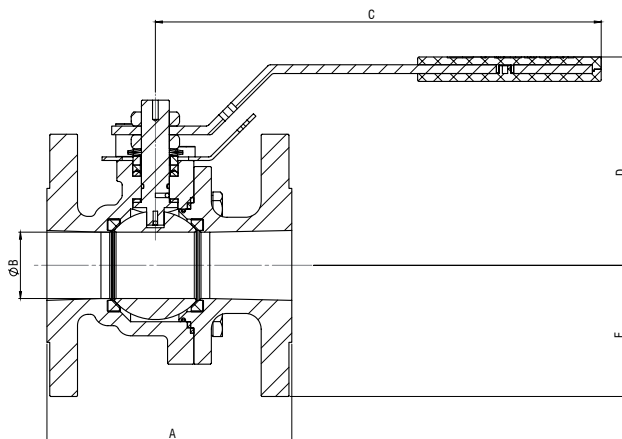
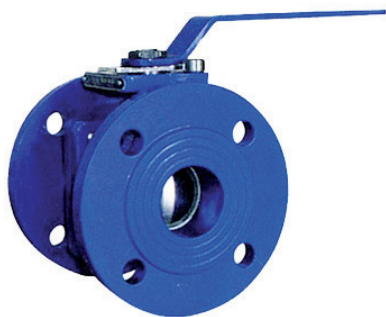
Dimensione / Size	2" x 1 1/2"	3" x 2"	4" x 3"	6" x 4"
A RF	178	203	229	394
A RTJ	191	216	241	406
A BW	216	283	305	457
B	Ø38	Ø49	Ø74	Ø100
C	260	260	333	427
D	119	127	158	174
E	76,2	95,2	114,3	139,7
Peso Weight kg.	9	19	28	43

Top Mountings & Coppie ($\Delta p=0$) / Top Mountings & Torques ($\Delta p=0$)

Dimensione / Size	2" x 1 1/2"	3" x 2"	4" x 3"	6" x 4"
ISO 5211 Nm	F05 44	F07 100	F10 165	F10 230

760F - Valvola a sfera flottante split body fusa passaggio ridotto ANSI 300

760F - Floating split body cast ball valve reduced bore ANSI 300



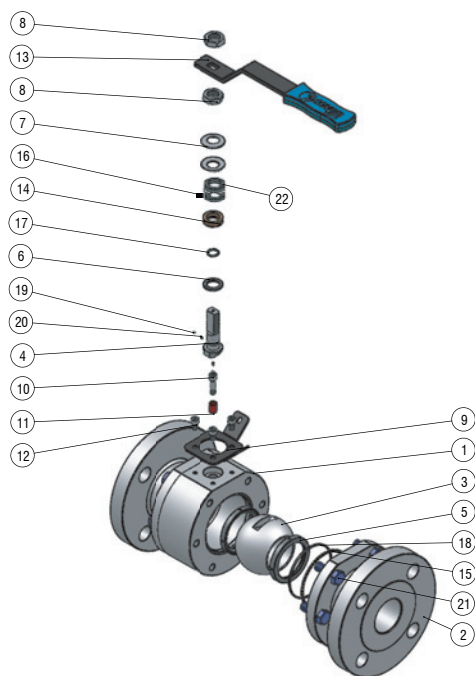
Dimensioni / Dimensions

Dimensioni in mm / Dimensions in mm

Dimensione / Size	2" x 1 1/2"	3" x 2"	4" x 3"	6" x 4"
A RF	216	283	305	403
A RTJ	232	298	321	419
A BW	216	283	305	403
B	∅38	∅49	∅74	∅100
C	260	333	427	472
D	127	158	174	227
E	132,5	84	127	158,8
Peso Weight kg.	15	25	36	67

Top Mountings & Coppie ($\Delta p=0$) / Top Mountings & Torques ($\Delta p=0$)

Dimensione / Size	2" x 1 1/2"	3" x 2"	4" x 3"	6" x 4"
ISO 5211 Nm	F05 44	F07 100	F10 165	F10 230



750N - Valvola a sfera flottante split body forgiata passaggio totale

Rating:

- ANSI 150-600
- PN 16-40
- PN 6, PN 10, PN 25 disponibili a richiesta

750N - Floating split body forged ball valve full bore

Rating:

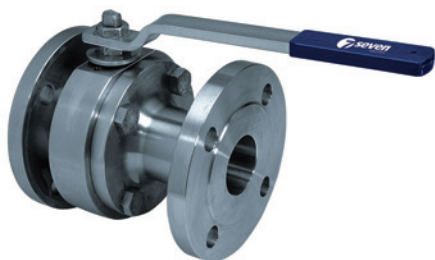
- ANSI 150-600
- PN 16-40
- PN 6, PN 10, PN 25 available on request



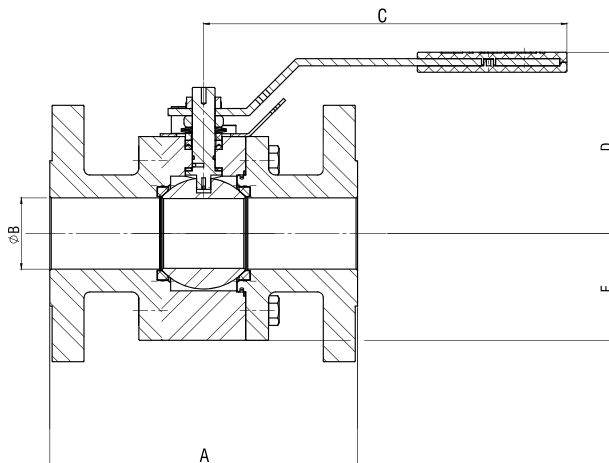
Descrizione & Materiali / Description & Materials

POS	Descrizione / Description	Materiale / Material			Parti di ricambio / Spare parts (QTY)
1	Corpo / Body	A105	304	316	
2	Laterale / Closure	A105	304	316	
3	Sfera / Ball	304	304	316	Su Richiesta / On Request
4	Stelo / Stem	304	304	316	
5	Sede / Seat	PTFE	PTFE	PTFE	2
6	Rondella / Washer	PTFE	PTFE	PTFE	1
7	Molle a Tazza / Spring Washer	C72	C72	C72	Su Richiesta / On Request
8	Dado / Nut	6S	6S	6S	Su Richiesta / On Request
9	Locking device / Locking device	FE410	FE410	FE410	
10	Vite TE / TE Screw	8,8	8,8	8,8	Su Richiesta / On Request
11	Dispositivo di Arresto / Lever Stop	FE410	FE410	FE410	Su Richiesta / On Request
12	Vite TE / TE Screw	8,8	8,8	8,8	
13	Leva / Anatomic Lever	Galv. Steel	Galv. Steel	Galv. Steel	Su Richiesta / On Request
14	Pacco AV / Chevron	RPTFE	RPTFE	RPTFE	1
15	Guarnizione / Gasket	Graphite	Graphite	Graphite	1
16	Guarnizione / Gasket	PTFE	PTFE	PTFE	1
17	O-Ring / O-Ring	HNBR	HNBR	HNBR	1
18	O-Ring / O-Ring	HNBR	HNBR	HNBR	1
19	Sfera Antistatica / Antistatic Ball	304	304	316	
20	Molla Antistatica Antistatic Spring	304	304	316	
21	Bullone / Bolt	8,8	8,8	8,8	
22	Rondella / Washer	304	304	304	

**750N - Valvola a sfera flottante split body forgiata
passaggio totale
PN 16**



**750N - Floating split body forged ball valve full bore
PN 16**



Dimensioni / Dimensions

Dimensioni in mm / Dimensions in mm

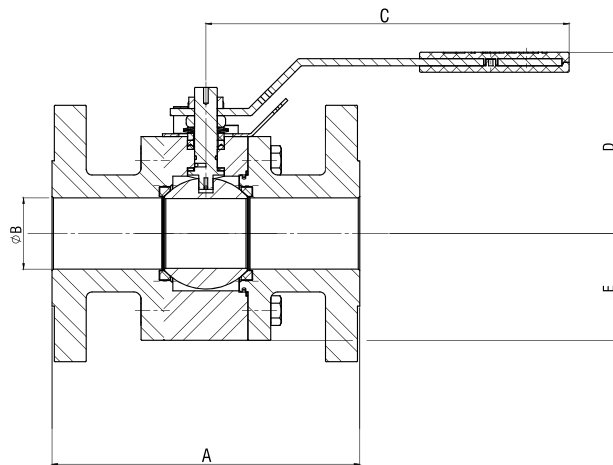
Dimensione / Size	DN 15	DN 20	DN 25	DN 32	DN 40	DN 50	DN 65	DN 80	DN 100	DN 125	DN 150	DN 200
A	115	120	125	132	140	150	165	180	190	325	350	400
B	∅13	∅19	∅25	∅28	∅38	∅49	∅62	∅74	∅100	∅118	∅150	∅200
C	138,5	138,5	171	171	260	260	333	333	427	427	472	
D	85	89	97	101	119	127	147,5	158	174	189	227	
E	47,5	52,5	57,5	70	75	82,5	92,5	100	110	132	142,5	170
Peso Weight kg.	3	4	5,2	7	10	13,5	21,5	26	30,5	61	96	231,5

Top Mountings & Coppie ($\Delta p=0$) / Top Mountings & Torques ($\Delta p=0$)

Dimensione / Size	DN 15	DN 20	DN 25	DN 32	DN 40	DN 50	DN 65	DN 80	DN 100	DN 125	DN 150	DN 200
ISO 5211 Nm	F03 8	F03 11	F03 15	F03 19	F05 33	F05 44	F07 77	F07 100	F10 165	F10 200	F10 230	F10 350

**750N - Valvola a sfera flottante split body forgiata
passaggio totale
PN 40**

**750N - Floating split body forged ball valve full bore
PN 40**



Dimensioni / Dimensions

Dimensioni in mm / Dimensions in mm

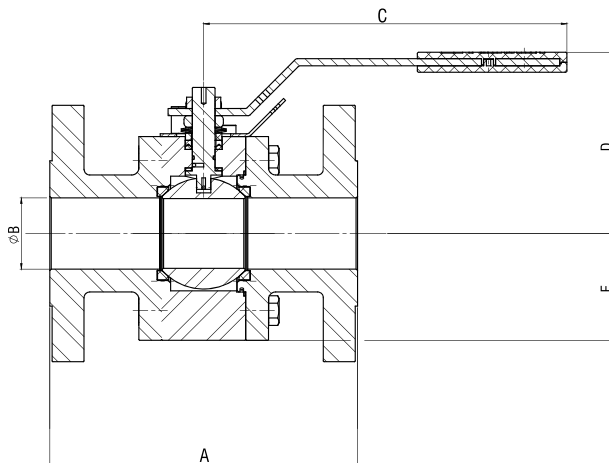
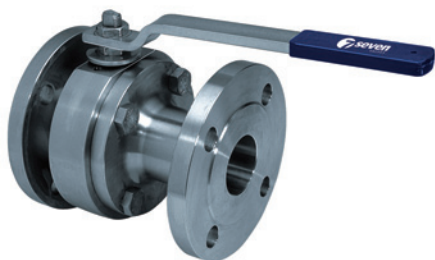
Dimensione / Size	DN 15	DN 20	DN 25	DN 32	DN 40	DN 50	DN 65	DN 80	DN 100	DN 125	DN 150
A	115	120	125	132	140	150	165	180	190	325	350
B	∅13	∅19	∅25	∅28	∅38	∅49	∅62	∅74	∅100	∅118	∅150
C	138,5	138,5	171	171	260	260	333	333	427	427	472
D	85	89	97	101	119	127	147,5	158	174	189	227
E	47,5	52,5	57,5	70	75	82,5	92,5	100	117,5	135	150
Peso Weight kg.	3	4	5,2	7	10	13,5	21,5	26	30,5	61	96

Top Mountings & Coppie ($\Delta p=0$) / Top Mountings & Torques ($\Delta p=0$)

Dimensione / Size	DN 15	DN 20	DN 25	DN 32	DN 40	DN 50	DN 65	DN 80	DN 100	DN 125	DN 150
ISO 5211 Nm	F03 8	F03 11	F03 15	F03 19	F05 33	F05 44	F07 77	F07 100	F10 165	F10 200	F10 230

**750N - Valvola a sfera flottante split body forgiata
passaggio totale
ANSI 150**

**750N - Floating split body forged ball valve full bore
ANSI 150**



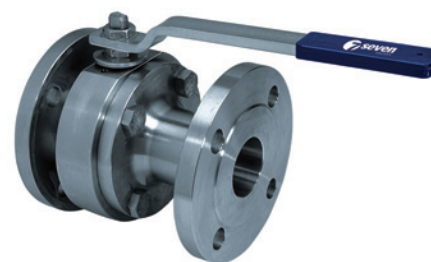
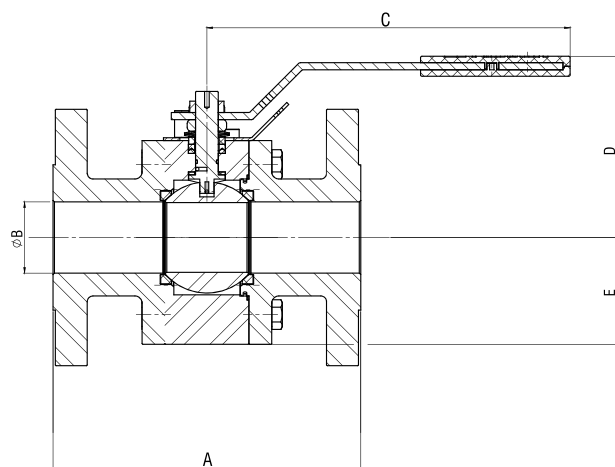
Dimensioni / Dimensions

Dimensioni in mm / Dimensions in mm

Dimensione / Size	1/2"	3/4"	1"	1 1/2"	2"	3"	4"	6"
A RF	108	117	127	165	178	203	229	394
A RTJ	---	---	140	178	191	216	241	406
A BW	108	117	165	190	216	283	305	457
B	∅13	∅19	∅25	∅38	∅49	∅74	∅100	∅150
C	138,5	138,5	171	260	260	333	427	472
D	85	89	97	119	127	158	174	227
E	44,5	49,2	54	63,5	76,2	95,2	114,3	139,7
Peso Weight kg.	2,7	3,6	4,5	9	14,3	25	34	91

Top Mountings & Coppie ($\Delta p=0$) / Top Mountings & Torques ($\Delta p=0$)

Dimensione / Size	1/2"	3/4"	1"	1 1/2"	2"	3"	4"	6"
ISO 5211 Nm	F03 8	F03 11	F03 15	F05 33	F05 44	F07 100	F10 165	F10 230

**750N - Valvola a sfera flottante split body forgiata
passaggio totale
ANSI 300**
**750N - Floating split body forged ball valve full bore
ANSI 300**

Dimensioni / Dimensions

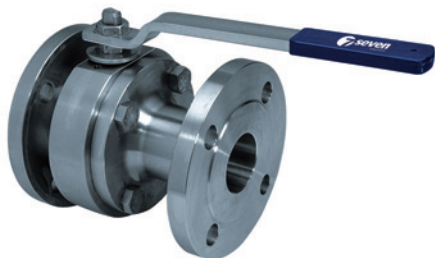
Dimensioni in mm / Dimensions in mm

Dimensione / Size	1/2"	3/4"	1"	1 1/2"	2"	3"	4"	6"
A RF	140	152	165	190	216	283	305	403
A RTJ	---	---	178	203	232	298	321	419
A BW	140	152	165	190	216	283	305	457
B	∅13	∅19	∅25	∅38	∅49	∅74	∅100	∅150
C	138,5	138,5	171	260	260	333	427	472
D	85	89	97	119	127	158	174	227
E	47,6	58,8	61,9	77,8	132,5	104,8	127	158,8
Peso Weight kg.	4	5,2	6,8	14	19	38	54	130

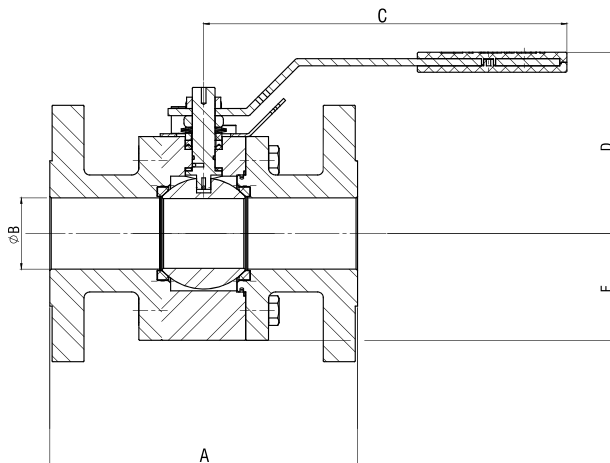
Top Mountings & Coppie ($\Delta p=0$) / Top Mountings & Torques ($\Delta p=0$)

Dimensione / Size	1/2"	3/4"	1"	1 1/2"	2"	3"	4"	6"
ISO 5211 Nm	F03 8	F03 11	F03 15	F05 33	F05 44	F07 100	F10 165	F10 230

**750N - Valvola a sfera flottante split body forgiata
passaggio totale
ANSI 600**



**750N - Floating split body forged ball valve full bore
ANSI 600**



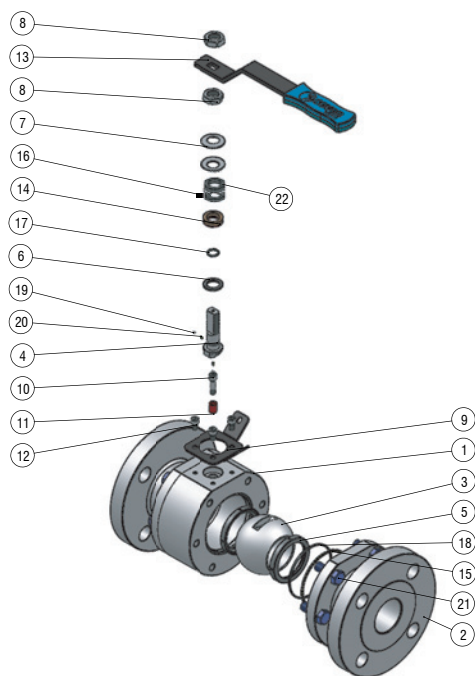
Dimensioni / Dimensions

Dimensioni in mm / Dimensions in mm

Dimensione / Size	1/2"	3/4"	1"	1 1/2"	2"	3"	4"
A RF	161	191	216	241	292	356	432
A RTJ	---	---	216	241	295	359	432
A BW	---	---	216	241	292	356	432
B	∅13	∅19	∅25	∅38	∅49	∅74	∅100
C	138,5	138,5	171	260	260	333	427
D	85	89	97	119	127	158	174
E	47,6	58,8	61,9	77,8	82,6	104,8	136,5
Peso Weight kg.	5,5	7,4	9	18,5	25	50	92

Top Mountings & Coppie ($\Delta p=0$) / Top Mountings & Torques ($\Delta p=0$)

Dimensione / Size	1/2"	3/4"	1"	1 1/2"	2"	3"	4"
ISO 5211 Nm	F03 8	F03 11	F03 15	F05 33	F05 44	F07 100	F10 165



760N - Valvola a sfera flottante split body forgiata passaggio ridotto

Rating:

- ANSI 150-600
- PN 16-40
- PN 6, PN 10, PN 25 disponibili a richiesta

760N - Floating split body forged ball valve reduced bore

Rating:

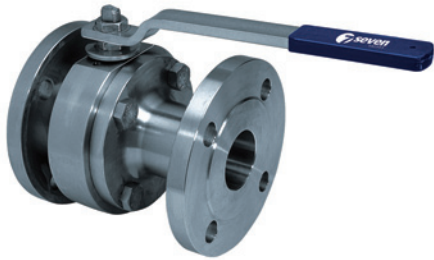
- ANSI 150-600
- PN 16-40
- PN 6, PN 10, PN 25 available on request



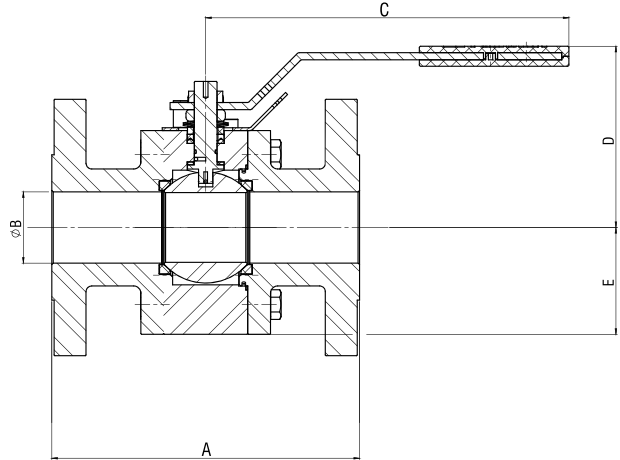
Descrizione & Materiali / Description & Materials

POS	Descrizione / Description	Materiale / Material			Parti di ricambio / Spare parts (QTY)
1	Corpo / Body	A105	304	316	
2	Laterale / Closure	A105	304	316	
3	Sfera / Ball	304	304	316	Su Richiesta / On Request
4	Stelo / Stem	304	304	316	
5	Sede / Seat	PTFE	PTFE	PTFE	2
6	Rondella / Washer	PTFE	PTFE	PTFE	1
7	Molle a Tazza / Spring Washer	C72	C72	C72	Su Richiesta / On Request
8	Dado / Nut	6S	6S	6S	Su Richiesta / On Request
9	Locking device / Locking device	FE410	FE410	FE410	
10	Vite TE / TE Screw	8,8	8,8	8,8	Su Richiesta / On Request
11	Dispositivo di Arresto / Lever Stop	FE410	FE410	FE410	Su Richiesta / On Request
12	Vite TE / TE Screw	8,8	8,8	8,8	
13	Leva / Anatomic Lever	Galv. Steel	Galv. Steel	Galv. Steel	Su Richiesta / On Request
14	Pacco AV / Chevron	RPTFE	RPTFE	RPTFE	1
15	Guarnizione / Gasket	Graphite	Graphite	Graphite	1
16	Guarnizione / Gasket	PTFE	PTFE	PTFE	1
17	O-Ring / O-Ring	HNBR	HNBR	HNBR	1
18	O-Ring / O-Ring	HNBR	HNBR	HNBR	1
19	Sfera Antistatica / Antistatic Ball	304	304	316	
20	Molla Antistatica / Antistatic Spring	304	304	316	
21	Bullone / Bolt	8,8	8,8	8,8	
22	Rondella / Washer	304	304	304	

**760N - Valvola a sfera flottante split body forgiata
passaggio ridotto
PN 16**



**760N - Floating split body forged ball valve reduced bore
PN 16**



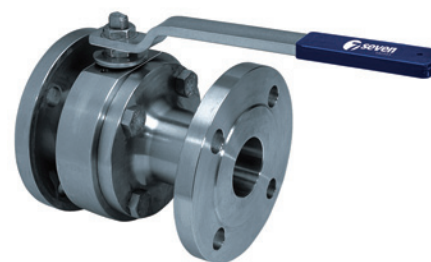
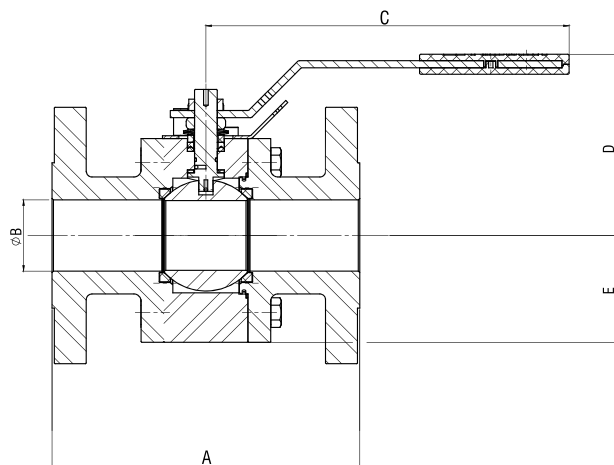
Dimensioni / Dimensions

Dimensioni in mm / Dimensions in mm

Dimensione / Size	DN 20	DN 25	DN 32	DN 40	DN 50	DN 65	DN 80	DN 100	DN 150
A	120	125	132	140	150	165	180	190	350
B	∅13	∅19	∅25	∅28	∅38	∅62	∅49	∅74	∅100
C	138,5	171	171	260	260	333	333	427	472
D	89	97	101	119	127	147,5	158	174	227
E	52,5	57,5	70	75	82,5	92,5	100	110	142,5
Peso Weight kg.	4	5,2	7	10	13,5	21,5	26	30,5	96

Top Mountings & Coppie ($\Delta p=0$) / Top Mountings & Torques ($\Delta p=0$)

Dimensione / Size	DN 20	DN 25	DN 32	DN 40	DN 50	DN 65	DN 80	DN 100	DN 150
ISO 5211 Nm	F03 11	F03 15	F03 19	F05 33	F05 44	F07 77	F07 100	F10 165	F10 230

**760N - Valvola a sfera flottante split body forgiata
passaggio ridotto
PN 40**
**760N - Floating split body forged ball valve reduced bore
PN 40**

Dimensioni / Dimensions

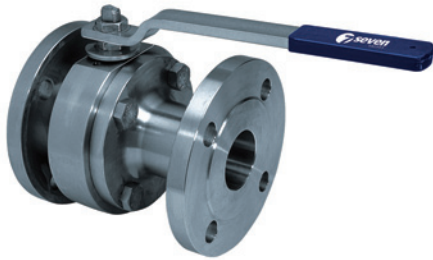
Dimensioni in mm / Dimensions in mm

Dimensione / Size	DN 20	DN 25	DN 32	DN 40	DN 50	DN 65	DN 80	DN 100	DN 150
A	120	125	132	140	150	165	180	190	350
B	∅13	∅19	∅25	∅28	∅38	∅62	∅49	∅74	∅118
C	138,5	171	171	260	260	333	333	427	472
D	89	97	101	119	127	148	158	174	227
E	52,5	57,5	70	75	82,5	92,5	100	117,5	150
Peso Weight kg.	4	5,2	7	10	13,5	21,5	26	30,5	96

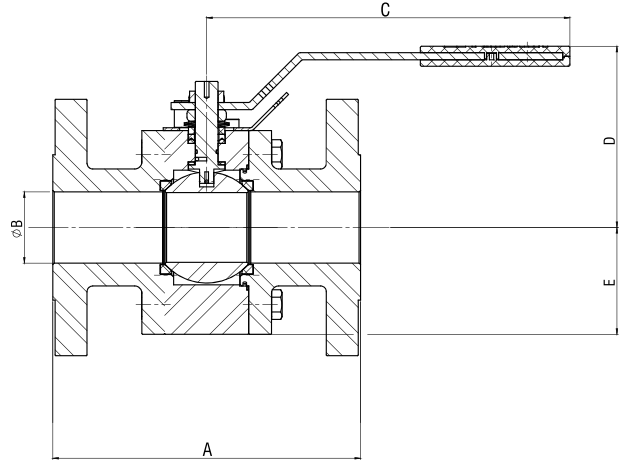
Top Mountings & Coppie ($\Delta p=0$) / Top Mountings & Torques ($\Delta p=0$)

Dimensione / Size	DN 20	DN 25	DN 32	DN 40	DN 50	DN 65	DN 80	DN 100	DN 150
ISO 5211 Nm	F03 11	F03 15	F03 19	F05 33	F05 44	F07 77	F07 100	F10 165	F10 230

**760N - Valvola a sfera flottante split body forgiata
passaggio ridotto
ANSI 150**



**760N - Floating split body forged ball valve reduced bore
ANSI 150**



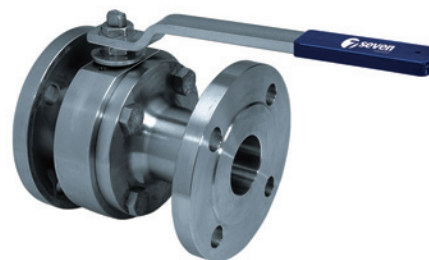
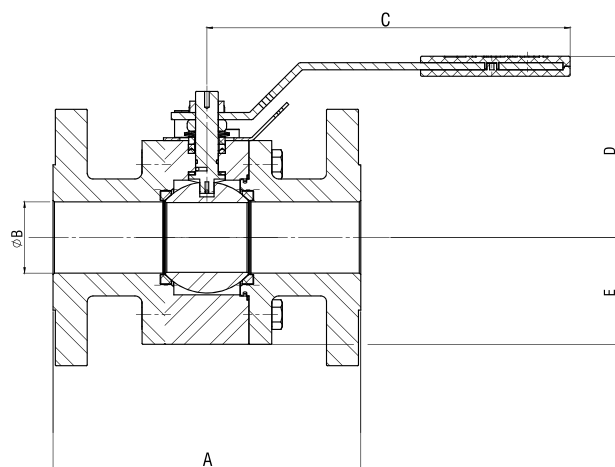
Dimensioni / Dimensions

Dimensioni in mm / Dimensions in mm

Dimensione / Size	2" x 1 1/2"	3" x 2"	4" x 3"	6" x 4"
A RF	190	216	283	305
A RTJ	178	191	216	241
A BW	190	216	283	305
B	∅38	∅49	∅74	∅100
C	260	260	333	427
D	119	127	158	174
E	76,2	95,2	114,3	139,7
Peso Weight kg.	9	14,3	25	34

Top Mountings & Coppie ($\Delta p=0$) / Top Mountings & Torques ($\Delta p=0$)

Dimensione / Size	2" x 1 1/2"	3" x 2"	4" x 3"	6" x 4"
ISO 5211 Nm	F05 44	F07 100	F10 165	F10 230

**760N - Valvola a sfera flottante split body forgiata
passaggio ridotto
ANSI 300**
**760N - Floating split body forged ball valve reduced bore
ANSI 300**

Dimensioni / Dimensions

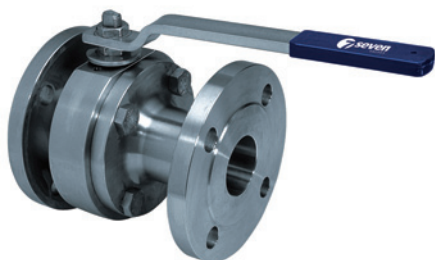
Dimensioni in mm / Dimensions in mm

Dimensione / Size	2" x 1 1/2"	3" x 2"	4" x 3"	6" x 4"
A RF	216	283	305	403
A RTJ	232	298	321	419
A BW	216	283	305	403
B	Ø38	Ø49	Ø74	Ø100
C	260	333	427	472
D	127	158	174	227
E	132,5	105	127	158,8
Peso Weight kg.	17	35	48	67

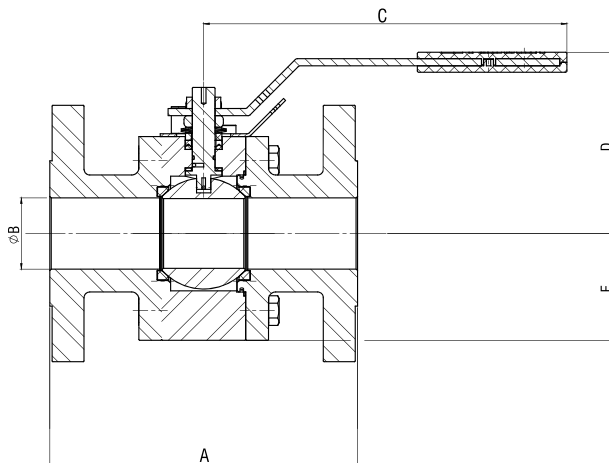
Top Mountings & Coppie ($\Delta p=0$) / Top Mountings & Torques ($\Delta p=0$)

Dimensione / Size	2" x 1 1/2"	3" x 2"	4" x 3"	6" x 4"
ISO 5211 Nm	F05 44	F07 100	F10 165	F10 230

**760N - Valvola a sfera flottante split body forgiata
passaggio ridotto
ANSI 600**



**760N - Floating split body forged ball valve reduced bore
ANSI 600**



Dimensioni / Dimensions

Dimensioni in mm / Dimensions in mm

Dimensione / Size	2" x 1 1/2"	3" x 2"	4" x 3"	6" x 4"
A RF	241	292	356	432
A RTJ	216	241	295	359
A BW	216	241	292	356
B	∅25	∅38	∅49	∅74
C	260	260	333	427
D	119	127	158	174
E	82,6	104,8	136,5	177,8
Peso Weight kg.	22	24	30	45

Top Mountings & Coppie ($\Delta p=0$) / Top Mountings & Torques ($\Delta p=0$)

Dimensione / Size	2" x 1 1/2"	3" x 2"	4" x 3"	6" x 4"
ISO 5211 Nm	F05 44	F07 100	F10 165	F10 230