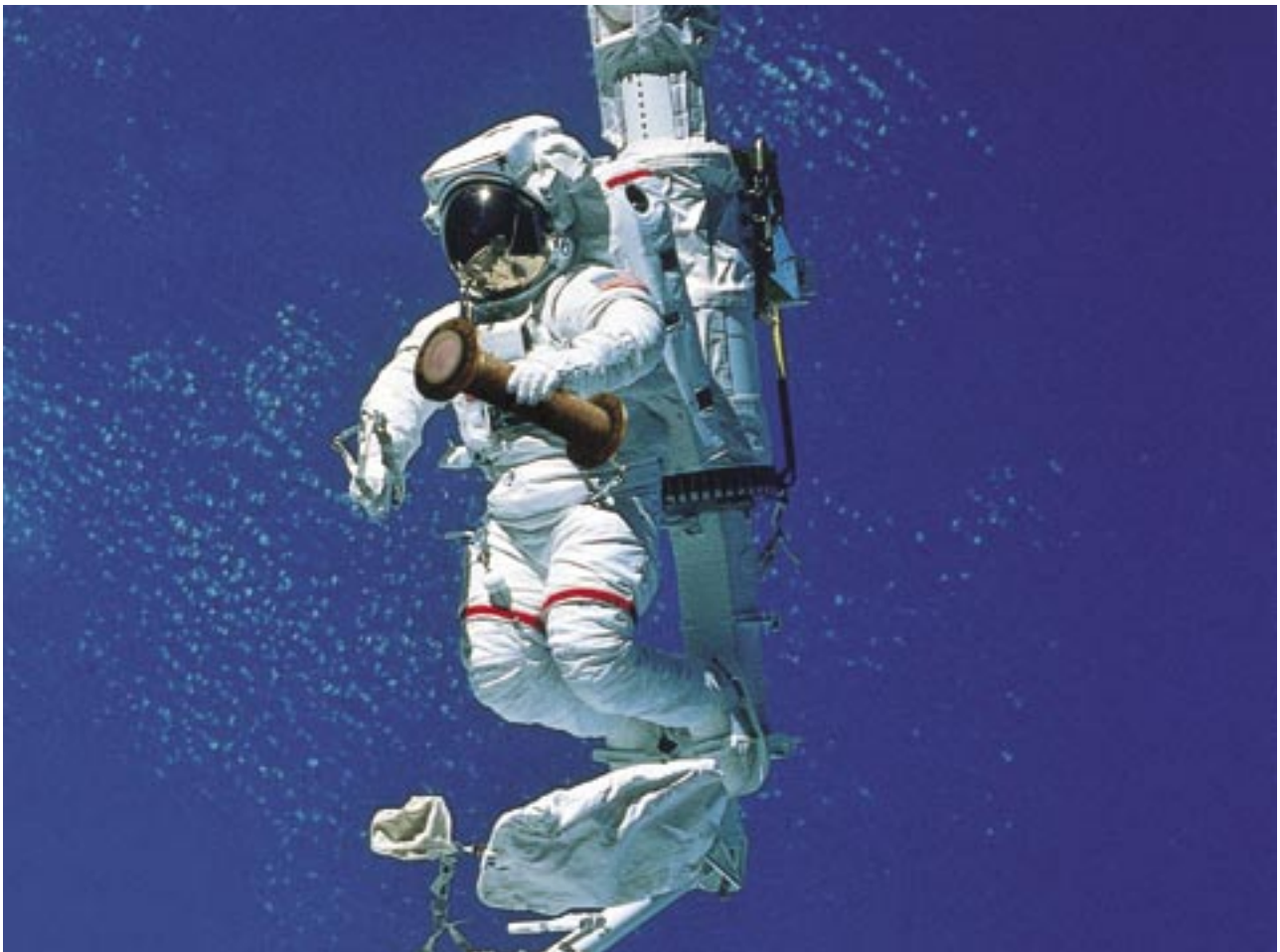




ANSI DIFLINE



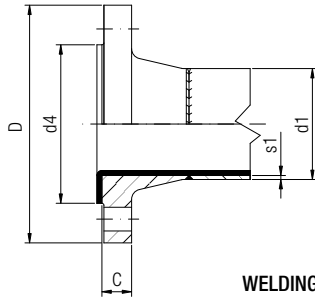


Dimensioni tubi e flange per tubazioni e raccordi rivestiti internamente in PTFE

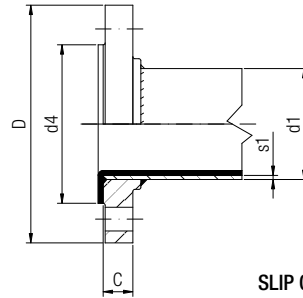
- ASME/ANSI B16.5 Classe 150
- DN 1/2" - DN 24"
- Tubi: DIN 2448
- Flange ANSI B16.5 Classe 150

Pipe and flange dimensions for lined pipe and fittings

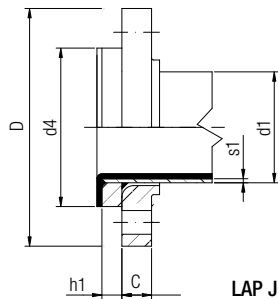
- ASME/ANSI B16.5 Class 150
- DN 1/2" - DN 24"
- Pipe acc. to DIN 2448
- Flanges acc. to ASME/ANSI B16.5 Class 150



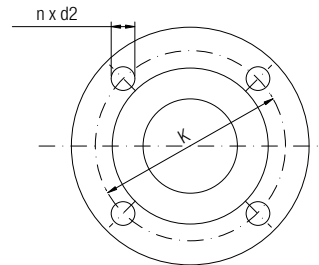
WELDING NECK



SLIP ON



LAP JOINT



Fornibili a richiesta/Available on request

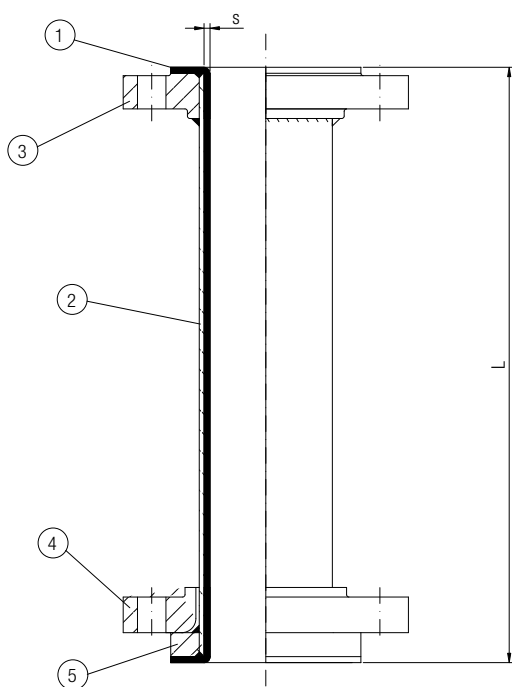
- Tubi in accordo alle norme ASME/ANSI B16.5/Pipe acc. to ASME/ANSI B16.5

DN	D	K	d4	n	x	d2	C	h1	d1 x s1
1/2"	88,9	60,3	35	4		15,9	12,0	12	26,9 x 2,3
3/4"	98,4	69,8	43	4		15,9	12,7	12	26,9 x 2,3
1"	107,9	79,4	51	4		15,9	14,3	12	33,7 x 2,6
1 1/4"	117,5	88,9	64	4		15,9	15,9	12	42,4 x 2,6
1 1/2"	127,0	98,4	73	4		15,9	17,5	12	48,3 x 2,6
2"	152,4	120,6	92	4		19,0	19,0	14	60,3 x 2,9
2 1/2"	177,8	139,7	105	4		19,0	22,4	14	76,1 x 2,9
3"	190,5	152,4	127	4		19,0	23,9	16	88,9 x 3,2
4"	228,6	190,5	158	8		19,0	23,9	16	114,3 x 3,6
5"	254,0	215,9	186	8		22,2	23,9	18	139,7 x 4,0
6"	279,4	241,3	216	8		22,2	25,4	18	168,3 x 4,5/(4,0)
8"	342,9	298,4	270	8		22,2	28,6	20	219,1 x 6,3/(4,5)
10"	406,4	361,9	324	12		25,4	30,3	22	273,0 x 6,3/(5,0)
12"	482,6	431,8	381	12		25,4	31,8	22	323,9 x 7,1/(5,6)
14"	533,4	476,2	412	12		28,6	35,1	22	355,6 x 8,0/(5,6)
16"	596,9	539,7	470	16		28,6	36,6	24	406,4 x 8,8/(6,3)
18"	635,0	577,8	534	16		31,7	39,6	24	457,2 x 10,0/(6,3)
20"	698,5	635,0	585	20		31,7	43,0	26	508,0 x 11,0
24"	812,8	749,3	692	20		34,9	47,8	26	610,0 x 12,5/(6,3)

s (...) Solo per tubi saldati/For welded pipes only

Tubi rivestiti in PTFE

- ASME/ANSI B16.5 Class 150
- DN 1/2" - DN 24"
- Versione standard: 1 flangia fissa e 1 flangia libera
- Corpo in acciaio al carbonio



PTFE-lined pipes

- ASME/ANSI B16.5 Class 150
- DN 1/2" - DN 24"
- Standard version: 1 fixed flanges, 1 lap joint flange
- Carbon steel body

Materiali/Materials

- | | |
|---|--------------------------|
| 1 | PTFE ASTM D-4894 or 4895 |
| 2 | St 37.0 - DIN 1629 |
| 3 | ASTM A 105, slip on |
| 4 | ASTM A 105, lap joint |
| 5 | St 37.2 - DIN 17100 |

Fornibili a richiesta/Available on request

- Connessioni flangiate: 2 flange fisse o 2 flange libere
Flange connection: 2 fixed flanges or 2 loose flanges
- Flange ANSI B16.5 Classe 300/ANSI B16.5 class 300 flanges
- Resistenti al vuoto/Vacuum resistance
- PTFE antistatico/Antistatic PTFE
- Corpo in acc. INOX/Stainless steel body
- Diametri superiori a richiesta/Higher diameters on request
- Tubi in lunghezza sino a 6 m/Spool length up to 6 m

DN	L min. mm	L max. mm	S	Peso tubo ca. kg/m Pipe weight	Peso 2 flange Weight 2 flanges
1/2"	100	3000	2,5	1,2	1,5
3/4"	100	3000	3	1,6	2
1"	100	3000	3	2,5	2,5
1 1/4"	100	3000	3	3,4	3,6
1 1/2"	100	3000	3	4,5	4,2
2"	100	3000	3	5,8	5,5
2 1/2"	120	3000	4	7,1	6,6
3"	120	3000	4	10	8,3
4"	120	3000	4,5	14	9,9
5"	120	3000	4,5	17,5	13,2
6"	150	3000	5	23,5	16
8"	150	3000	6,25	39	23
10"	150	3000	6,75	55,5	31
12"	200	3000	8	74	39
14"	200	3000	9	85	52
16"	200	3000	10	102	67
18"	200	3000	7,5	130	85
20"	250	-	-	155	90
24"	250	-	-	204	116

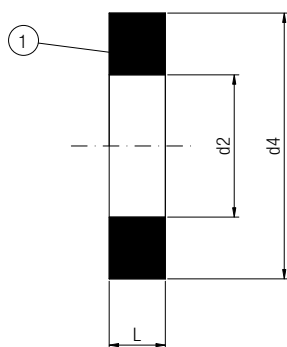


Distanziali in PTFE Tipo F

- ASME/ANSI B16.5 Classe 150
- DN 1/2" - DN 24"

PTFE-solid spacers Type F

- ASME/ANSI B16.5 Class 150
- DN 1/2" - DN 24"



Materiali/Materials

1 PTFE ASTM D-4894

Fornibili a richiesta/Available on request

- PTFE antistatico/Antistatic PTFE
- Diametri superiori a richiesta/Higher diameters on request

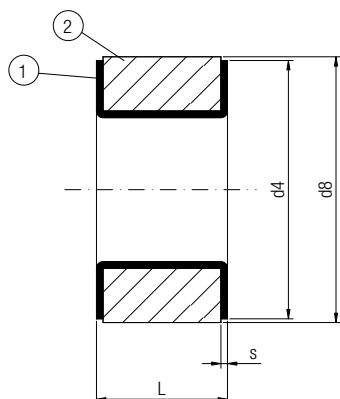
DN	L max. mm	d2 mm	d4 mm	Peso ca. kg/Weight
1/2"	300	14	35	0,1
3/4"	300	16	43	0,1
1"	300	22	51	0,2
1 1/4"	300	31	64	0,25
1 1/2"	300	37	73	0,3
2"	300	48	92	0,4
2 1/2"	300	64	105	0,5
3"	300	76	127	0,6
4"	300	101	158	0,75
5"	300	125	186	1,1
6"	300	153	216	1,4
8"	300	201	270	2,0
10"	300	254	324	3,2
12"	300	303	381	4,0
14"	300	333	412	4,5
16"	300	382	470	5,2
18"	300	430	534	6,1
20"	300	480	585	7,2
24"	300	590	692	8,5

Distanziali rivestiti in PTFE Tipo G

- ASME/ANSI B16.5 Classe 150
- DN 1/2" - DN 24"
- Corpo in acciaio al carbonio

PTFE-lined spacers Type G

- ASME/ANSI B16.5 Class 150
- DN 1/2" - DN 24"
- Carbon steel body



Materiali/Materials

- | | |
|---|--------------------------|
| 1 | PTFE ASTM D-4894 or 4895 |
| 2 | St 37.2 - DIN 17100 |

Fornibili a richiesta/Available on request

- Resistenti al vuoto/Vacuum resistance
- PTFE antistatico/Antistatic PTFE
- Corpo in acc. inox/Stainless steel body
- Diametri superiori a richiesta/Higher diameters on request

DN	L min. mm	L max. mm	s ± 10% mm	d4 mm	d8 mm	Peso ca. kg/Weight
1/2"	30	60	2,5	35	44	0,9
3/4"	30	60	3	43	53	1,2
1"	30	60	3	51	63	1,8
1 1/4"	30	60	3	64	72	2,1
1 1/2"	30	60	3	73	82	2,6
2"	30	60	3	92	100	3,7
2 1/2"	30	70	4	105	120	4,7
3"	30	70	4	127	133	5,3
4"	30	80	4,5	158	170	9,5
5"	30	80	4,5	186	193	11
6"	30	80	5	216	218	14
8"	30	80	6,25	270	276	18
10"	30	80	6,75	324	336	29
12"	30	90	8	381	406	30
14"	30	90	9	412	447	50
16"	30	90	10	470	510	60
18"	30	100	7,5	534	545	71
20"	30	100	-	585	602	75
24"	30	120	-	692	714	113

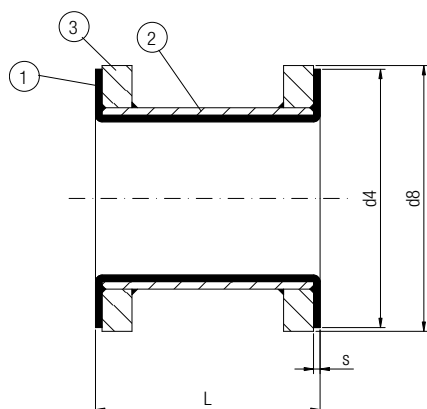


Distanziali rivestiti in PTFE Tipo H

- ASME/ANSI B16.5 Classe 150
- DN 1/2" - DN 24"
- Corpo in acciaio al carbonio

PTFE-lined spacers Type H

- ASME/ANSI B16.5 Class 150
- DN 1/2" - DN 24"
- Carbon steel body



Materiali/Materials

- | | |
|---|--------------------------|
| 1 | PTFE ASTM D-4894 or 4895 |
| 2 | St 37.0 - DIN 1629 |
| 3 | St 37.2 - DIN 17100 |

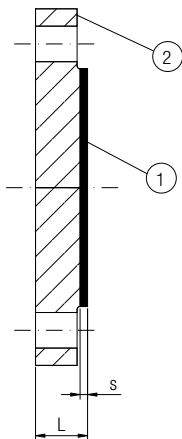
Fornibili a richiesta/Available on request

- Resistenti al vuoto/Vacuum resistance
- PTFE antistatico/Antistatic PTFE
- Corpo in acc. inox/Stainless steel body
- Diametri superiori a richiesta/Higher diameters on request

DN	L min. max.	L max. mm	s	d4 mm	d8 mm	Peso tubo ca. kg/m Pipe weight	Peso 2 collari ca. kg Weight 2 collars
1/2"	60	100	2,5	35	44	1,2	0,3
3/4"	60	100	3	43	53	1,6	0,4
1"	60	100	3	51	63	2,5	0,5
1 1/4"	60	100	3	64	72	3,4	0,7
1 1/2"	60	100	3	73	82	4,5	0,9
2"	60	100	3	92	100	5,8	1,3
2 1/2"	70	120	4	105	120	7,1	1,6
3"	70	120	4	127	133	10	2,3
4"	80	120	4,5	158	170	14	2,7
5"	80	120	4,5	186	193	17,5	4
6"	80	150	5	216	218	23,5	4,5
8"	80	150	6,25	270	276	39	6
10"	80	150	6,75	324	336	55,5	8,5
12"	90	200	8	381	406	74	10
14"	90	200	9	412	447	85	13
16"	90	200	10	470	510	102	16,5
18"	100	200	7,5	534	545	130	20
20"	100	250	-	585	602	155	23
24"	120	250	-	692	714	204	31

Flange cieche rivestite in PTFE

- ASME/ANSI B16.5 Class 150
- DN 1/2" - DN 24"
- Corpo in acciaio al carbonio



PTFE-lined blind flanges

- ASME/ANSI B16.5 Class 150
- DN 1/2" - DN 24"
- Carbon steel body

Materiali/Materials

- | | |
|---|---------------------|
| 1 | PTFE ASTM D-4894 |
| 2 | St 37.2 - DIN 17100 |

Fornibili a richiesta/Available on request

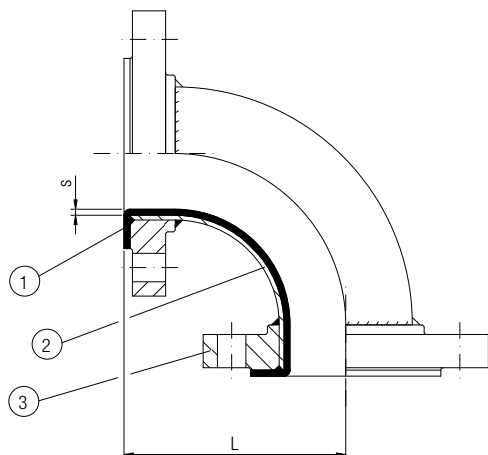
- ANSI B16.5 - Classe 300/ANSI B16.5 - Class 300
- Resistenti al vuoto/Vacuum resistance
- PTFE antistatico/Antistatic PTFE
- Corpo in acc. inox/Stainless steel body
- Diametri superiori a richiesta/Higher diameters on request

DN	L mm	s ± 10% mm	Peso ca. kg/Weight
1/2"	12,0	2,5	0,8
3/4"	12,7	3,0	0,9
1"	14,3	3,0	1,2
1 1/4"	15,9	3,0	1,8
1 1/2"	17,5	3,0	2,1
2"	19,0	3,0	3,0
2 1/2"	22,4	3,0	4,0
3"	23,9	3,5	5,0
4"	23,9	4,5	6,0
5"	23,9	4,5	9,1
6"	25,4	5,0	11,8
8"	28,5	5,0	18
10"	30,3	5,0	26
12"	31,8	5,0	35
14"	35,1	5,0	45
16"	36,6	6,0	60
18"	39,6	6,0	70
20"	43,0	6,0	85
24"	47,8	6,0	150



Curve a 90° rivestite in PTFE

- ASME/ANSI B16.5 Classe 150
- DN 1/2" - DN 24"
- Versione standard: 2 flange fisse
- Corpo in acciaio al carbonio
- Per grossi diametri soluzione in 2 o 3 parti



PTFE-lined elbows 90°

- ASME/ANSI B16.5 Class 150
- DN 1/2" - DN 24"
- Standard version: 2 fixed flanges
- Carbon steel body
- For big diameters solutions in 2 or 3 parts

Materiali/Materials

- | | |
|------------|--------------------------|
| 1 | PTFE ASTM D-4894 or 4895 |
| 2.1 | ASTM A 106 |
| 2.2 | St 37.0 - DIN 2448 |
| 3 | ASTM A 105 |

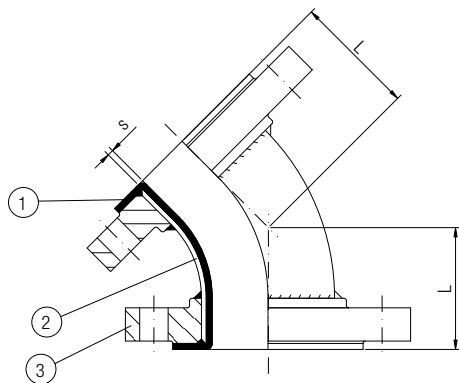
Fornibili a richiesta/Available on request

- Connessioni flangiate:
1 flangia fissa e 1 flangia libera o 2 flange libere
Flange connection:
1 fixed flange and 1 loose flange or 2 loose flanges
- ANSI B16.5 - Classe 300/ANSI B16.5 - Class 300
- Resistenti al vuoto/Vacuum resistance
- PTFE antistatico/Antistatic PTFE
- Corpo in acc. inox/Stainless steel body
- Diametri superiori a richiesta/Higher diameters on request

DN	L mm	s ± 10% mm	Peso ca. kg/Weight
1/2"	65	3,0	1,5
3/4"	75	3,0	2,1
1"	89	3,0	2,7
1 1/4"	95	4,0	4,0
1 1/2"	102	4,0	4,6
2"	114	4,0	6,4
2 1/2"	127	4,0	9,0
3"	140	4,0	12
4"	165	4,5	19
5"	190	5,0	22
6"	203	8,0	36
8"	229	9,0	57
10"	279	13,0	82
12"	305	10,0	98
14"	546	6,5	150
16"	610	12	139
18"	673	6,5	225
20"	736	13	167
24"	864	6,5	395

Curve a 45° rivestite in PTFE

- ASME/ANSI B16.5 Class 150
- DN 1/2" - DN 24"
- Versione standard: 2 flange fisse
- Corpo in acciaio al carbonio



PTFE-lined 45° elbows

- ASME/ANSI B16.5 Class 150
- DN 1/2" - DN 24"
- Standard version: 2 fixed flanges
- Carbon steel body

Materiali/Materials

- | | |
|-----|--------------------------|
| 1 | PTFE ASTM D-4894 or 4895 |
| 2.1 | ASTM A 106 |
| 2.2 | St 37.0 - DIN 2448 |
| 3 | ASTM A 105 |

Fornibili a richiesta/Available on request

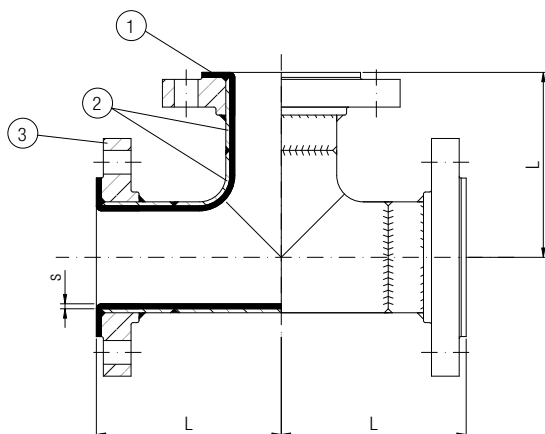
- Connessioni flangiate:
1 flangia fissa e 1 flangia libera o 2 flange libere
Flange connection:
1 fixed flange and 1 loose flange or 2 loose flanges
- ANSI B16.5 - Classe 300/ANSI B16.5 - Class 300
- Resistenti al vuoto/*Vacuum resistance*
- PTFE antistatico/*Antistatic PTFE*
- Corpo in acc. inox/*Stainless steel body*
- Diametri superiori a richiesta/*Higher diameters on request*

DN	L mm	s ± 10% mm	Peso ca. kg/Weight
1/2"	45	2,5	1,7
3/4"	45	2,5	2
1"	45	3,0	3
1 1/4"	51	4,0	4
1 1/2"	57	4,0	6
2"	64	4,0	9
2 1/2"	76	4,0	13
3"	76	4,0	15
4"	102	4,5	20
5"	114	5,0	26
6"	127	6,5	33
8"	140	7,0	54
10"	165	6,0	75
12"	190	6,5	110
14"	190	7,0	118
16"	203	7,0	145
18"	216	7,0	165
20"	241	8,0	210
24"	279	8,0	290



T uguali rivestiti in PTFE

- ASME/ANSI B16.5 Classe 150
- DN 1/2" - DN 24"
- Versione standard: 3 flange fisse
- Corpo in acciaio al carbonio
- Per grossi diametri soluzione in 2 parti



PTFE-lined equal tees

- ASME/ANSI B16.5 Class 150
- DN 1/2" - DN 24"
- Standard version: 3 fixed flanges
- Carbon steel body
- For big diameters solution in 2 parts

Materiali/Materials

- | | |
|---|--------------------------|
| 1 | PTFE ASTM D-4894 or 4895 |
| 2 | St 37.0 - DIN 1629 |
| 3 | ASTM A 105 |

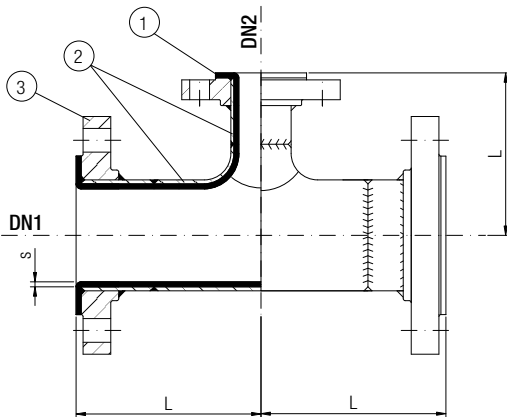
Fornibili a richiesta/Available on request

- Connessioni flangiate:
2 flange libere ed 1 flangia fissa o 3 flange libere
Flange connection:
2 loose flanges and 1 fixed flange or 3 loose flanges
- Flange ANSI B16.5 Classe 300/ANSI B16.5 - Class 300 flange
- Resistenza al vuoto/Vacuum resistance
- PTFE antistatico/Antistatic PTFE
- Corpo in acc. INOX/Stainless steel body
- Diametri superiori a richiesta/Higher diameters on request

DN	L mm	s ± 10% mm	Peso ca. kg/Weight
1/2"	65	4,0	2,5
3/4"	75	4,5	3,2
1"	89	4,5	3,6
1 1/4"	95	5,5	4,7
1 1/2"	102	4,0	6,1
2"	114	4,75	9,7
2 1/2"	127	4,5	13,5
3"	140	5,8	21
4"	165	5,5	36
5"	190	5,0	57
6"	203	6,0	82
8"	229	6,0	121
10"	280	6,5	165
12"	305	6,5	228
14"	356	6,5	312
16"	381	6,5	375
18"	419	6,5	400
20"	457	6,5	420
24"	500	4,5	580

T ridotti rivestiti in PTFE

- ASME/ANSI B16.5 Classe 150
- DN 3/4" - DN 16"
- Versione standard: 3 flange fisse
- Corpo in acciaio al carbonio
- Per grossi diametri soluzione in 2 parti



PTFE-lined reducing tees

- ASME/ANSI B16.5 Class 150
- DN 3/4" - DN 16"
- Standard version: 3 fixed flanges
- Carbon steel body
- For big diameters solution in 2 parts

Materiali/Materials

- | | |
|---|--------------------------|
| 1 | PTFE ASTM D-4894 or 4895 |
| 2 | St 37.0 - DIN 1629 |
| 3 | ASTM A 105 |

Fornibili a richiesta/Available on request

- Connessioni flangiate:
2 flange libere ed 1 flangia fissa o 3 flange libere
Flange connection:
2 loose flanges and 1 fixed flange or 3 loose flanges
- Flange ANSI B16.5 Classe 300/ANSI B 16.5
Class 300 flanges
- Resistenza al vuoto/*Vacuum resistance*
- PTFE antistatico/*Antistatic PTFE*
- Corpo in acc. INOX/*Stainless steel body*
- Diametri superiori a richiesta/*Higher diameters on request*

DN1	DN2	L mm	S	Peso ca. kg/Weight
3/4"	1/2"	75	4,0	3,1
1"	1/2"	89	4,0	3,7
	3/4"			3,9
1 1/4"	3/4"	95	4,0	4,4
	1"			5,2
1 1/2"	1/2"	102	4,0	5,3
	3/4"			5,5
	1"			5,7
	1 1/4"			6,0
2"	1/2"	114	4,0	8,8
	1"			9,3
	1 1/4"			9,5
	1 1/2"			9,8
2 1/2"	1"	127	4,0	14,0
	1 1/4"			14,0
	1 1/2"			14,7
	2"			15,5
3"	1"	140	4,0	19,7
	1 1/2"			20,4


T ridotti rivestiti in PTFE

- ASME/ANSI B16.5 Classe 150

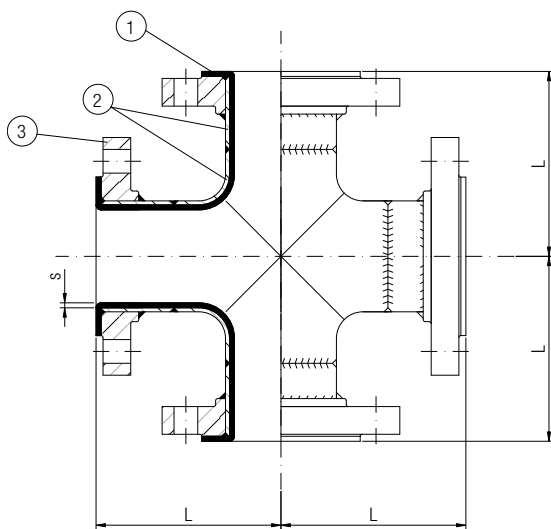
PTFE-lined reducing tees

- ASME/ANSI B16.5 Class 150

DN1	DN2	L mm	S	Peso ca. kg/Weight
3"	2"	140	4,0	20,9
	2 1/2"			21,8
4"	1"	165	4,5	31,4
	1 1/2"			33,3
	2"			34,1
	2 1/2"			35,0
	3"			36,0
5"	2 1/2"	190	5,0	49,0
	3"			52,0
	4"			55,0
6"	3"	203	6,0	56,2
	4"			77,0
	5"			80,0
8"	4"	229	6,0	83,0
	5"			125
	6"			130
10"	6"	280	6,5	156
	8"			161
12"	6"	305	6,5	165
	8"			218
	10"			222
14"	6"	356	6,5	205
	8"			294
	10"			300
	12"			308
16"	8"	381	6,5	292
	10"			356
	12"			362
	14"			370

Croci uguali rivestite in PTFE

- ASME/ANSI B16.5 Classe 150
- DN 1/2" - DN 24"
- Versione standard: 4 flange fisse
- Corpo in acciaio al carbonio
- Per grossi diametri soluzione in 3 parti



PTFE-lined equal crosses

- ASME/ANSI B16.5 Class 150
- DN 1/2" - DN 24"
- Standard version: 4 fixed flanges
- Carbon steel body
- For big diameters solution in 3 parts

Materiali/Materials

- | | |
|---|--------------------------|
| 1 | PTFE ASTM D-4894 or 4895 |
| 2 | St 37.0 - DIN 1629 |
| 3 | ASTM A 105 |

Fornibili a richiesta/Available on request

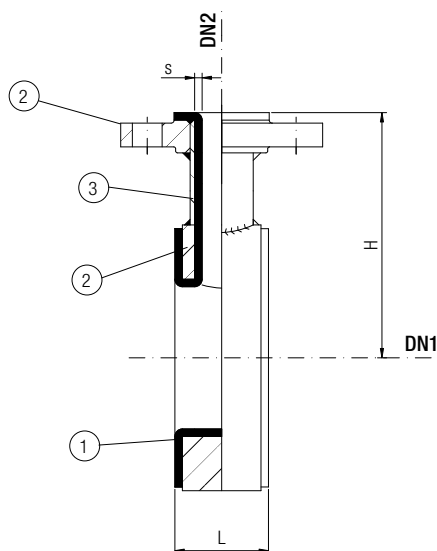
- Connessioni flangiate:
1 flangia fissa e 3 flange libere o 4 flange libere
Flange connection:
1 fixed flange and 3 loose flanges or 4 loose flanges
- Flange ANSI B16.5 Classe 300/ANSI B16.5 Class 300 flanges
- Resistenza al vuoto/Vacuum resistance
- PTFE antistatico/Antistatic PTFE
- Corpo in acc. INOX/Stainless steel body
- Diametri superiori a richiesta/Higher diameters on request
- Croci ridotte/Reducing crosses

DN	L mm	s ± 10% mm	Peso ca. kg/Weight
1/2"	65	4,0	3,2
3/4"	75	4,5	4,0
1"	89	4,5	5,0
1 1/4"	95	5,5	6,5
1 1/2"	102	4,0	8,5
2"	114	4,75	13,0
2 1/2"	127	4,5	17,5
3"	140	5,8	28
4"	165	5,5	47
5"	190	5,0	73
6"	203	6,0	96
8"	229	6,0	125
10"	280	6,5	195
12"	305	6,5	280
14"	356	6,5	380
16"	381	6,5	480
18"	419	6,5	525
20"	457	6,5	550
24"	500	4,5	730



Prese strumenti rivestite in PTFE

- ASME/ANSI B16.5 Classe 150
- DN 1" - DN 24"
- T usati per: termometri, manometri, prese campione
- Corpo in acciaio al carbonio
- Per grossi diametri soluzione in 2 parti



PTFE-lined instrument tees

- ASME/ANSI B16.5 Class 150
- DN 1" - DN 24"
- Tees used for: thermometers, pressure gauges, sampling intakes
- Carbon steel body
- For big diameters solution in 2 parts

Materiali/Materials

- | | |
|---|--------------------------|
| 1 | PTFE ASTM D-4894 or 4895 |
| 2 | ASTM A 105 |
| 3 | St 37.0 - DIN 1629 |

Fornibili a richiesta/Available on request

- Flange in accordo ASME/ANSI B16.5 - Classe 300
Flanges according to ASTM/ANSI B 16.5 - Class 300
- Resistenti al vuoto/*Vacuum resistance*
- PTFE antistatico/*PTFE conductive*
- Corpo in acc. inox/*Stainless steel body*
- Diametri superiori a richiesta/*Higher diameters on request*

DN1	DN2	L mm	H mm	s	Peso ca. kg/Weight
1"	1/2"	50	90	4	1,9
	3/4"				2,0
	1"				2,2
1 1/4"	1/2"	50	100	4	2,1
	3/4"				2,3
	1"				2,5
1 1/2"	1/2"	50	110	4	2,4
	3/4"				2,6
	1"				2,8
	1 1/2"				4,4
2"	1/2"	75	115	4	3,2
	3/4"				3,4
	1"				3,6
	1 1/2"				6,2
	2"				8,1
2 1/2"	1/2"	75	125	4	3,7
	3/4"				3,8
	1"				3,9
	1 1/2"				7,2



Prese strumenti rivestite in PTFE

- ASME/ANSI B16.5 Classe 150

PTFE-lined instrument tees

- ASME/ANSI B16.5 Class 150

DN1	DN2	L mm	H mm	S	Peso ca. kg/Weight
2 1/2"	2"	90	125	4	9,8
3"	1/2"	50	135	4	4,3
	3/4"	50			4,5
	1"	50			4,7
	1 1/2"	75			8,3
	2"	90			12,6
4"	1/2"	50	150	4,5	5,5
	3/4"	50			5,7
	1"	50			5,9
	1 1/2"	75			8,9
	2"	90			16,0
5"	1/2"	50	160	5	6,6
	3/4"	50			6,8
	1"	50			7,0
	1 1/2"	75			12,4
	2"	90			20,5
6"	1/2"	50	180	5	7,7
	3/4"	50			7,9
	1"	50			8,2
	1 1/2"	75			14,7
	2"	90			21,8
8"	1/2"	50	210	5	9,9
	3/4"	50			10,3
	1"	50			10,5
	1 1/2"	75			17,8
	2"	90			23,4
10"	1/2"	50	240	5	13,3
	3/4"	50			13,5
	1"	50			13,7
	1 1/2"	75			23,2
	2"	90			25,9
12"	1/2"	90	340	6,5	41,4
	3/4"	90			41,6
	1"	90			43,0
	1 1/2"	110			55,5
	2"	120			62,1
14"	1/2"	90	375	6,5	51,5
	3/4"	90			52,6
	1"	90			53,1
	1 1/2"	110			66,5
	2"	120			73,7



Prese strumenti rivestite in PTFE

- ASME/ANSI B16.5 Class 150

PTFE-lined instrument tees

- ASME/ANSI B16.5 Class 150

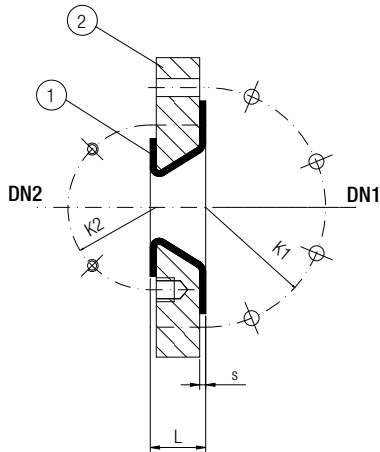
DN1	DN2	L mm	H mm	S	Peso ca. kg/Weight
16"	1/2"	90	390	6,5	58,2
	3/4"	90			58,6
	1"	90			59,1
	1 1/2"	110			74,5
	2"	120			83,7
18"	1/2"	90	450	6,5	66,2
	3/4"	90			66,3
	1"	90			68,5
	1 1/2"	110			90,5
	2"	120			93,7
20"	1/2"	90	450	6,5	70,2
	3/4"	90			70,4
	1"	90			72,1
	1 1/2"	110			90,5
	2"	120			100,7
24"	1/2"	90	510	4,5	78,2
	3/4"	90			78,4
	1"	90			79,1
	1 1/2"	110			94,5
	2"	120			107,7

Flange ridotte rivestite in PTFE

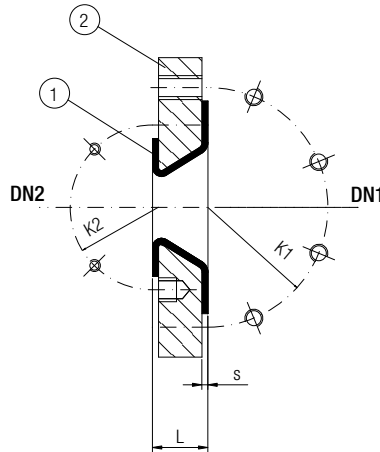
- ASME/ANSI B16.5 Classe 150
- DN 1" - DN 24"
- Corpo in acciaio al carbonio

PTFE-lined reducing flanges

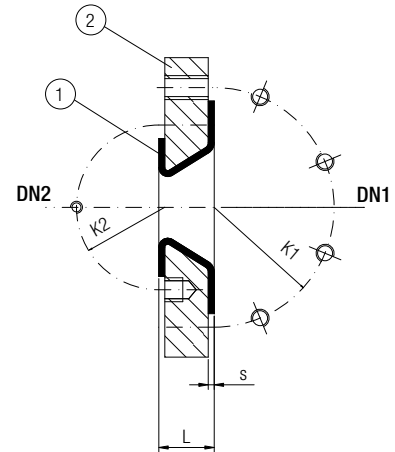
- ASME/ANSI B16.5 Class 150
- DN 1" - DN 24"
- Carbon steel body



Type A



Type B



Type C

Fornibili a richiesta/Available on request

- Possibile tipo eccentrico/ Eccentric type possible
- Flange ANSI B16.5 - Classe 300/ANSI B16.5 - Class 300 flange
- Resistenza al vuoto/Vacuum resistance
- PTFE antistatico/Antistatic PTFE
- Corpo in acc. INOX/Stainless steel body
- Diametri superiori a richiesta/Higher diameters on request

Materiali/Materials

- 1** PTFE ASTM D-4894
- 2.1** ASTM A 105
- 2.2** St 37.2 - DIN 17100

Nota: Quote k1 e k2 vedi dimensionale (pag. 1)

Note: k1 and k2 dimensions, see dimension table (pag. 1)

DN1	DN2	L mm	s ± 10% mm	Type	Peso ca. kg/Weight
1"	1/2"	35	3,5	C	2,1
	3/4"				2,4
1 1/4"	3/4"	35	3,5	C	3,9
	1"				3,5
1 1/2"	3/4"	35	4,0	C	4,0
	1"				4,1
	1 1/4"				3,9
2"	3/4"	35	4,0	B	5,0
	1"			B	4,9
	1 1/2"			C	5,1
2 1/2"	1"	35	4,0	A	5,9
	1 1/2"			B	5,6
	2"			C	5,6



Flange ridotte rivestite in PTFE

- ASME/ANSI B16.5 Classe 150

PTFE-lined reducing flanges

- ASME/ANSI B16.5 Class 150

DN1	DN2	L mm	s ± 10% mm	Tipo/Type	Peso ca. kg/Weight
3"	1"	35	4/3,5	A	6,8
	1 1/2"		4	B	6,6
	2"		4	C	6,4
	2 1/2"		4	C	6,2
4"	1"	45	4,5/3,5	A	12
	1 1/2"		4,5/4		12
4"	2"	45	4,5/4	A	12
	3"			B	10
5"	1"	45	4,5/3,5	A	16
	1 1/2"		4,5/4	A	15
	2"		4,5/4	A	14
	3"		4,5/4	B	13
	4"		4,5/4	C	13
6"	1"	45	5/3,5	A	22
	1 1/2"		5/4	A	20
	2"		5/4	A	19
	3"		5/4	A	18
	4"		5/4,5	B	17
	5"		5/4,5	C	16
8"	1"	45	5/3,5	A	29
	2"		5/3,5		28
	3"		5/4		27
	4"		5/4,5		25
	6"		5		23
10"	2"	45	6/4	A	28
	3"		6/4	A	24
	4"		6/4	A	22
	6"		5	A	19
	8"		5	B	16
12"	2"	50	6/4	A	44
	3"		6/4	A	38
	4"		6/4	A	36
	6"		6/4	A	31
	8"		6/4	A	28
	10"		5,5	B	24
14"	2"	50	6/4	A	56
	3"		6/4	A	50
	4"		6/4	A	47
	6"		6/4	A	42
	8"		6/4	A	38
	10"		6	A	35
	12"		6	C	33



Flange ridotte rivestite in PTFE

- ASME/ANSI B16.5 Classe 150

PTFE-lined reducing flanges

- ASME/ANSI B16.5 Class 150

DN1	DN2	L mm	s ± 10% mm	Tipo/Type	Peso ca. kg/Weight
16"	3"	50	6/4	A	71
	4"		6/4	A	68
	6"		6/4	A	62
	8"		6/4	A	60
	10"		6/4	A	55
	12"		6	A	49
	14"		6	B	40
18"	4"	50	6/4	A	77
	6"				72
	8"				70
18"	10"	50	6/4	A	66
	12"		6/4	A	58
	14"		6/4	B	49
	16"		6	C	44
20"	4"	50	6/4	A	93
	6"			A	87
	8"			A	86
	10"			A	85
	12"			A	77
	14"			A	70
	16"			B	62
24"	6"	50	6/4	A	139
	8"			A	131
	10"			A	128
	12"			A	121
	14"			A	105
	16"			A	93
	18"			A	84
	20"			B	78

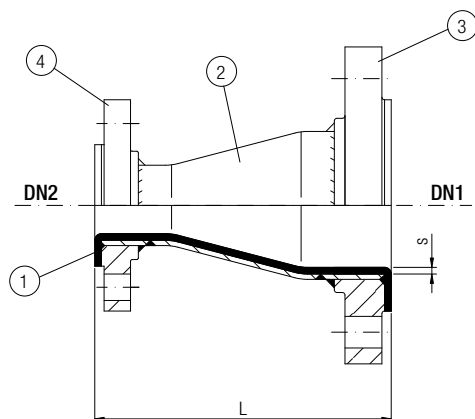


Riduzioni concentriche rivestite in PTFE

- ASME/ANSI B16.5 Classe 150
- DN 3/4" - DN 24"
- Versione standard: 2 flange fisse
- Corpo in acciaio al carbonio

PTFE-lined concentric reducers

- ASME/ANSI B16.5 Class 150
- DN 3/4" - DN 24"
- Standard version: 2 fixed flanges
- Carbon steel body



Materiali/Materials

- 1** PTFE ASTM D-4894 or 4895
- 2.1** ASTM A 234 Gr. WPB
- 2.2** St 37.0 - DIN 1629
- 3** ASTM A 105
- 4** ASTM A 105

Fornibili a richiesta/Available on request

- Connessioni flangiate: 1 flangia fissa e 1 flangia libera (DN1)
Flange connection: 1 fixed flange and 1 loose flanges (DN1)
- Flange ANSI B16.5 - Classe 300/ANSI B16.5 - Class 300 flanges
- Resistenti al vuoto/Vacuum resistance
- PTFE antistatico/Antistatic PTFE
- Corpo in acc. INOX/Stainless steel body
- Diametri superiori a richiesta/Higher diameters on request

DN1	DN2	L mm	s ± 10% mm	Peso ca. kg/Weight
3/4"	1/2"	114	2	2,1
1"	1/2"	114	3	2,4
	3/4"			2,3
1 1/4"	3/4"	114	3	2,8
	1"			3,0
1 1/2"	3/4"	114	3	3,1
	1"			3,3
	1 1/4"			3,8
2"	1"	127	4/3	4,1
	1 1/4"			4,3
	1 1/2"			4,8
2 1/2"	1"	140	4/3	5,8
	1 1/4"			6,1
	1 1/2"			6,4
	2"			7,0
3"	1"	152	4/3	6,7
	1 1/4"			6,5
	1 1/2"			6,3
	2"			6,9



Riduzioni concentriche rivestite in PTFE

- ASME/ANSI B16.5 Classe 150

PTFE-lined concentric reducers

- ASME/ANSI B16.5 Class 150

DN1	DN2	L mm	s ± 10% mm	Peso ca. kg/Weight
3"	2 1/2"	152	4	7,5
4"	1"	178	4,5/3	10,2
	1 1/4"		4,5/3	9,6
	1 1/2"		4,5/3	9,4
	2"		4,5/4	9,9
	2 1/2"		4,5	10,6
	3"		4,5	12,3
5"	2"	203	4,5/4	10,6
	2 1/2"		4,5/4	11,0
	3"		4,5/4	12,8
	4"		4,5	15,0
6"	1"	229	5/3	19,0
	2"		5/3	20,0
	2 1/2"		5/4	18,0
	3"		5/4	17,4
	4"		5/4,5	18,3
	5"		5	20,1
8"	4"	279	6/4,5	22,1
	5"		6/4,5	23,8
	6"		6/5	25,2
10"	4"	305	6,5/4,5	33,1
	6"		6,5/5	37,8
	8"		6,5	44,8
12"	6"	356	6,5	46,0
	8"			48,0
	10"			52,6
14"	8"	406	6,5	69,0
	10"			73,6
	12"			80,0
16"	10"	457	6,5	98,0
	12"			105
	14"			115
18"	12"	483	6,5	135
	14"			148
	16"			157
20"	12"	508	6,5	185
	14"			198
	16"			210
	18"			218
24"	16"	610	4,5	272
	18"			282
	20"			291

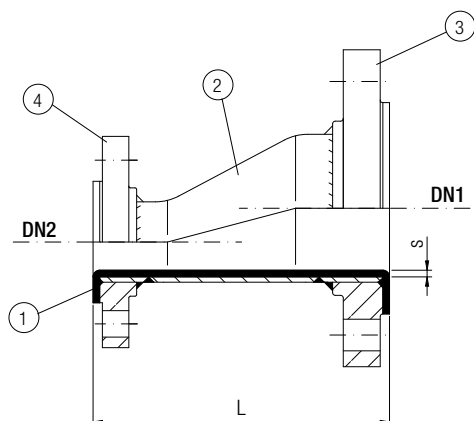


Riduzioni eccentriche rivestite in PTFE

- ASME/ANSI B16.5 Classe 150
- DN 3/4" - DN 20"
- Versione standard: 2 flange fisse
- Corpo in acciaio al carbonio

PTFE-lined eccentric reducers

- ASME/ANSI B16.5 Class 150
- DN 3/4" - DN 20"
- Standard version: 2 fixed flanges
- Carbon steel body



Materiali/Materials

- 1** PTFE ASTM D-4894 or 4895
- 2.1** ASTM A 234 Gr. WPB
- 2.2** St 37.0 - DIN 1629
- 3** ASTM A 105
- 4** ASTM A 105

Fornibili a richiesta/Available on request

- Connessioni flangiate: 1 flangia fissa e 1 flangia libera (DN1)
Flange connection: 1 fixed flange and 1 loose flanges (DN1)
- Flange ANSI B16.5 - Classe 300/ANSI B16.5 - Class 300 flange
- Resistenti al vuoto/Vacuum resistance
- PTFE antistatico/Antistatic PTFE
- Corpo in acc. INOX/Stainless steel body
- Diametri superiori a richiesta/Higher diameters on request

DN1	DN2	L mm	s ± 10% mm	Peso ca. kg/Weight
3/4"	1/2"	114	2	2,1
1"	1/2"	114	3	2,4
	3/4"			2,3
1 1/4"	3/4"	114	3	2,8
	1"			3,0
1 1/2"	3/4"	114	3	3,1
	1"			3,3
	1 1/4"			3,8
2"	1"	127	4	4,1
	1 1/4"			4,3
	1 1/2"			4,8
2 1/2"	1 1/2"	140	4	6,4
	2"			7,0
3"	1 1/2"	152	4	6,3
	2"			6,9



Riduzioni eccentriche rivestite in PTFE

- ASME/ANSI B16.5 Classe 150

PTFE-lined eccentric reducers

- ASME/ANSI B16.5 Class 150

DN1	DN2	L mm	s ± 10% mm	Peso ca. kg/Weight
3"	2 1/2"	152	4	7,5
4"	2"	178	4,5	9,9
	3"			12,3
5"	3"	203	4,5	12,8
	4"			15,0
6"	4"	229	5/4,5	18,3
	5"		5	20,1
8"	4"	279	6	22,1
	6"			25,2
10"	6"	305	6,5	37,8
	8"			44,8
12"	8"	356	6,5	48,0
	10"			52,6
14"	10"	406	6,5	73,6
	12"			80,0
16"	12"	457	6,5	105
	14"			115
18"	14"	483	6,5	148
	16"			157
20"	16"	508	6,5	210
	18"			218

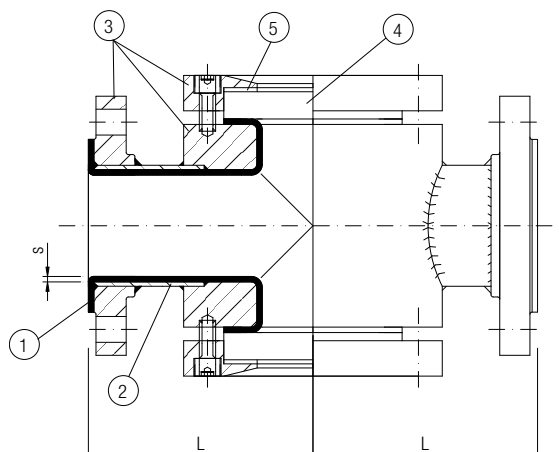


Spie visive rivestite in PTFE

- ASME/ANSI B16.5 Class 150
- DN 1" - DN 16"
- Versione standard: flange fisse
- Corpo in acciaio al carbonio

PTFE-lined bull's eye sight indicators

- ASME/ANSI B16.5 Class 150
- DN 1" - DN 16"
- Standard version: fixed flanges
- Carbon steel body



Materiali/Materials

- | | |
|---|----------------------------|
| 1 | PTFE ASTM D-4894 |
| 2 | St 37.0 - DIN 1629 |
| 3 | ASTM A 105 |
| 4 | Vetro DIN 7080/Sight glass |
| 5 | Diflex |

Fornibili a richiesta/Available on request

- Flange ANSI B16.5 - Classe 300/ANSI B16.5 - Class 300 flange
- Resistenti al vuoto/Vacuum resistance
- PTFE antistatico/PTFE conductive
- Corpo in acc. inox/Stainless steel body
- Diametri superiori a richiesta/Higher diameters on request

DN	L mm	s ± 10% mm	Peso ca. kg/Weight
1"	89	4,0	3,8
1 1/4"	95	4,0	4,8
1 1/2"	102	4,0	6,3
2"	114	4,0	10,0
2 1/2"	127	4,0	14,5
3"	140	4,0	23,0
4"	165	4,5	39,0
5"	190	5,0	59
6"	203	6,0	83
8"	229	6,0	122
10"	280	5,2	166
12"	305	6,5	232
14"	357	6,5	320
16"	406	6,5	380

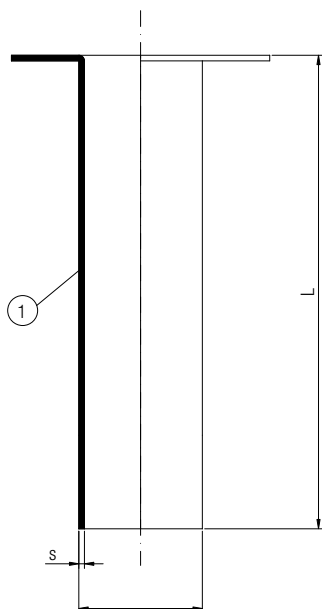


Cannotti in PTFE

- DN 1" - DN 16"

PTFE nozzle liner

- DN 1" - DN 16"



Materiali/Materials

1 PTFE ASTM D-4894 ot 4895

DN	L max. mm	d mm	s ± 10% mm
1"	3000	24,5	3,0
1 1/4"	3000	29,0	2,75
1 1/2"	3000	32,0	3,25
2"	3000	41,0	3,0
2 1/2"	3000	60,0	3,75
3"	3000	66,0	3,0
4"	3000	94,5	3,5
5"	3000	117	4,75
6"	3000	139	4,5
8"	3000	182	5,75
10"	3000	231	5,75
12"	3000	288	7,0
14"	3000	277	6,5
16"	3000	319	7,25

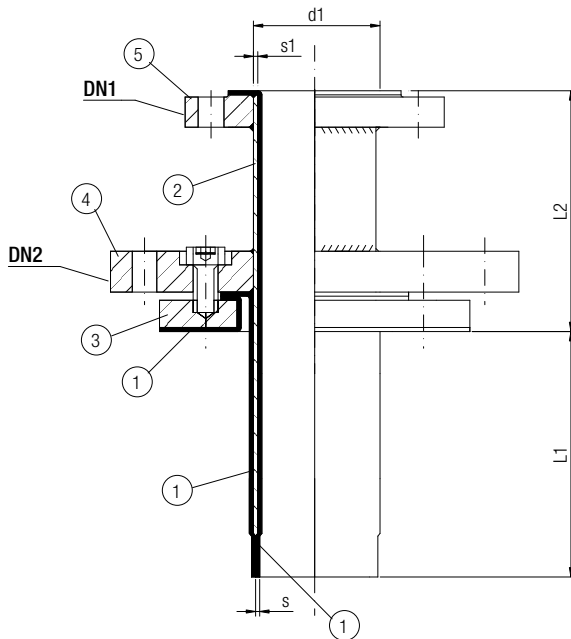


Pescanti rivestiti in PTFE saldato

- ASME/ANSI B16.5 Classe 150
- DN 1/2" - DN 16"
- Versione standard: flange fisse
- Corpo in acciaio al carbonio

PTFE-lined dip pipes

- ASME/ANSI B16.5 Class 150
- DN 1/2" - DN 16"
- Standard version: fixed flanges
- Carbon steel body



Materiali/Materials

- | | |
|---|--------------------------|
| 1 | PTFE ASTM D-4894 or 4895 |
| 2 | St 37.0 - DIN 2448 |
| 3 | St 37.2 - DIN 17100 |
| 4 | ASTM A 105 |
| 5 | ASTM A 105 |

Fornibili a richiesta/Available on request

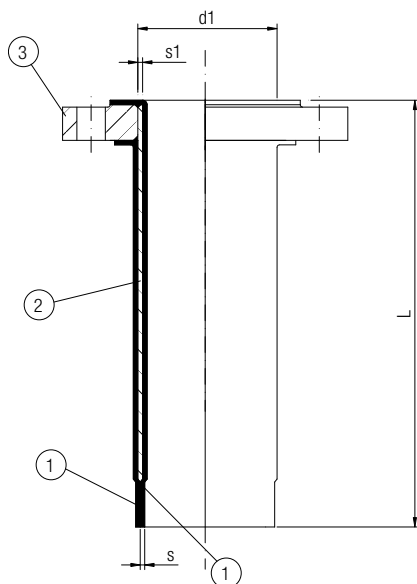
- Flangia libera DN1/DN1 loose flange
- Flange ANSI B16.5 - Classe 300/ANSI B16.5 - Class 300 flange
- Resistenti al vuoto/Vacuum resistance
- PTFE antistatico/Antistatic PTFE
- Corpo in acc. inox/Stainless steel body
- Diametri superiori a richiesta/Higher diameters on request
- Tubi in lunghezza sino a 5 m/Length up to 5 m

DN1	DN2	L1 max. ± 25 mm	L2 max. ± 5 mm	d1 x s1	s ± 10% mm	Peso ca. kg/Weight
1/2"		2500	150	26,9 x 2,3	2,5	1,3
3/4"		2500	150	26,9 x 2,3	3,0	1,5
1"		2500	150	33,7 x 2,6	3,0	2,0
1 1/4"		2500	150	42,4 x 2,6	3,0	2,8
1 1/2"		2500	150	48,3 x 3,2	3,0	3,4
2"		2500	150	60,3 x 4,5	3,0	4,8
2 1/2"		2500	150	76,1 x 4,0	3,0	6,4
3"		2500	150	88,9 x 4,5	3,0	8,2
4"		2500	150	114,3 x 5,0	4,5	11,5
5"		2500	150	139,7 x 5,6	4,5	18,0
6"		2500	150	168,3 x 6,3	5,0	28,7
8"		2500	150	219,1 x 6,3	5,0	40,0
10"		2500	150	273 x 10,0	5,2	57,0
12"		2500	200	323,9 x 7,5	6,5	76,0
16"		2500	200	406,4 x 10,0	6,5	120

on request/a richiesta

Tubi iniettori rivestiti in PTFE

- ASME/ANSI B16.5 Classe 150
- DN 1/2" - DN 16"
- Corpo in acciaio al carbonio



PTFE-lined sparger

- ASME/ANSI B16.5 Class 150
- DN 1/2" - DN 16"
- Carbon steel body

Materiali/Materials

- | | |
|---|--------------------------|
| 1 | PTFE ASTM D-4894 or 4895 |
| 2 | St 37.0 - DIN 1629 |
| 3 | ASTM A 105 |

Fornibili a richiesta/Available on request

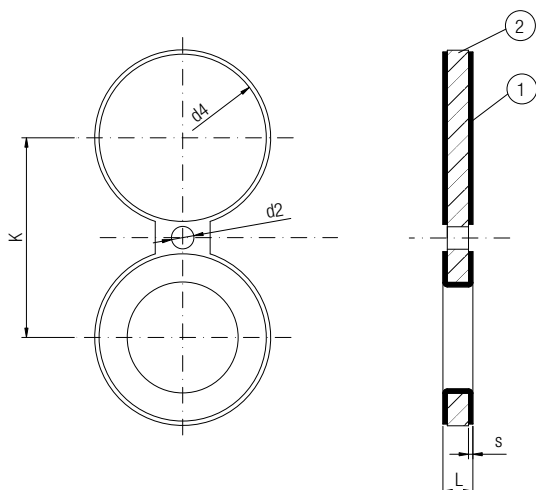
- Flange ANSI B16.5 - Classe 300/ANSI B16.5 - Class 300 flange
- Resistenti al vuoto/Vacuum resistance
- PTFE antistatico/Antistatic PTFE
- Corpo in acc. inox/Stainless steel body
- Diametri superiori a richiesta/Higher diameters on request
- Tubi in lunghezza sino a 5 m/Length up to 5 m

DN	L max. mm	d1 x s1	s ± 10% mm	Peso ca. kg/m Weight	Peso flange ca. kg Weight flanges
1/2"	3000	26,9 x 2,3	2,5	1,3	0,8
3/4"	3000	26,9 x 2,3	3,0	1,5	1,0
1"	3000	33,7 x 2,6	3,0	2,0	1,3
1 1/4"	3000	42,4 x 2,6	3,0	2,8	1,8
1 1/2"	3000	48,3 x 3,2	3,0	3,4	2,1
2"	3000	60,3 x 4,5	3,0	4,8	2,6
2 1/2"	3000	76,1 x 4,0	3,0	6,4	3,2
3"	3000	88,9 x 4,5	3,0	8,2	3,9
4"	3000	114,3 x 5,0	4,5	11,5	4,4
5"	3000	139,7 x 5,6	4,5	18,0	5,8
6"	3000	168,3 x 6,3	5,0	28,7	6,9
8"	3000	219,1 x 6,3	5,0	40,0	10
10"	3000	273 x 10,0	5,2	57,0	13
12"	3000	323,9 x 7,5	6,5	76,0	17,5
16"	3000	406,4 x 10,0	6,5	120	31



Dischi a otto rivestiti in PTFE

- ASME/ANSI B16.5 Classe 150
- DN 1" - DN 18"
- Corpo in acciaio al carbonio



PTFE-lined spectacle rings

- ASME/ANSI B16.5 Class 150
- DN 1" - DN 18"
- Carbon steel body

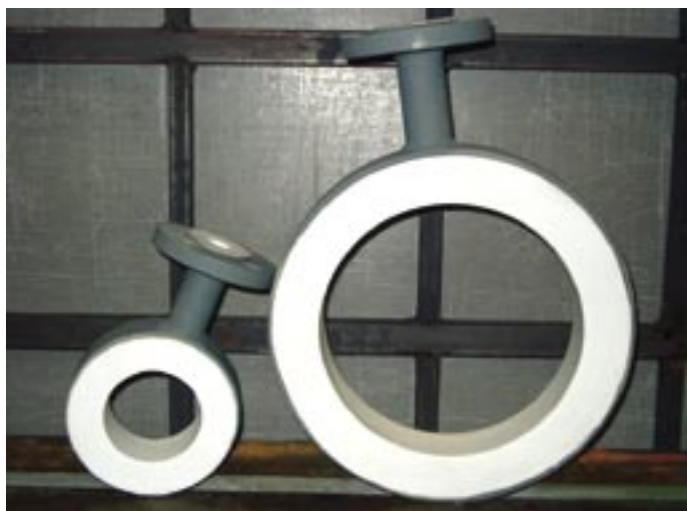
Materiali/Materials

- 1 PTFE ASTM D-4894 or 4895
- 2 St 37.2 - DIN 17100

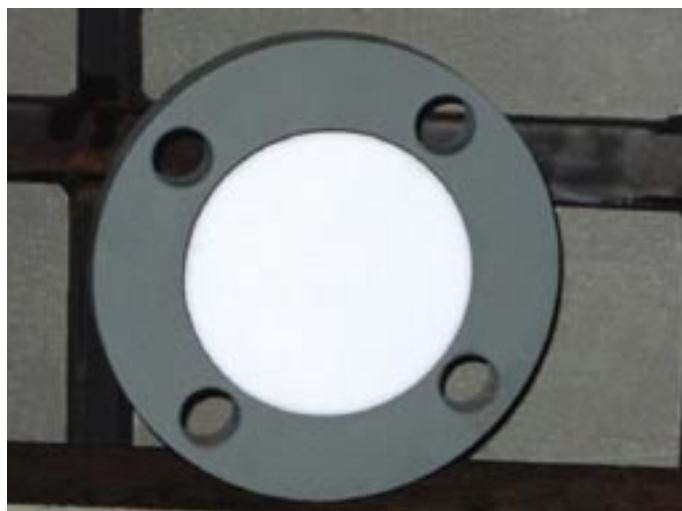
Fornibili a richiesta/Available on request

- Flange ANSI B16.5 - Classe 300/ANSI B16.5 - Class 300 flanges
- PTFE antistatico/Antistatic PTFE
- Corpo in acc. inox/Stainless steel body
- Diametri superiori a richiesta/Higher diameters on request

DN	L mm	s ± 10% mm	K mm	d2 mm	d4 mm
1"	16	3	79,4	15,9	51
1 1/4"	16	3	88,9	15,9	64
1 1/2"	18	3	98,4	15,9	73
2"	20	3	120,6	19	92
3"	24	3,5	152,4	19	127
4"	24	4	190,5	19	158
5"	25	4,5	215,9	22,2	186
6"	26	5	241,3	22,2	216
8"	28	6	298,4	22,2	270
10"	30	6,5	361,9	25,4	324
12"	32	6,5	431,8	25,4	381
14"	35	6,5	476,2	28,6	412
16"	36	6,5	539,7	28,6	470
18"	40	6,5	577,8	31,7	534



Prese strumenti rivestite in PTFE/*PTFE-lined instrument tees*



Flangia cieca rivestita in PTFE /*PTFE-lined blind flange*



Tubi in acciaio inox rivestiti in PTFE/*Pipes and fittings inox-PTFE lined*



Tubi e raccordi in acciaio rivestiti in PTFE/*Pipes and fittings PTFE lined*



Protezioni delle cartelle/*Flare Protections*



Particolare cartella in PTFE/*PTFE flare detail*