

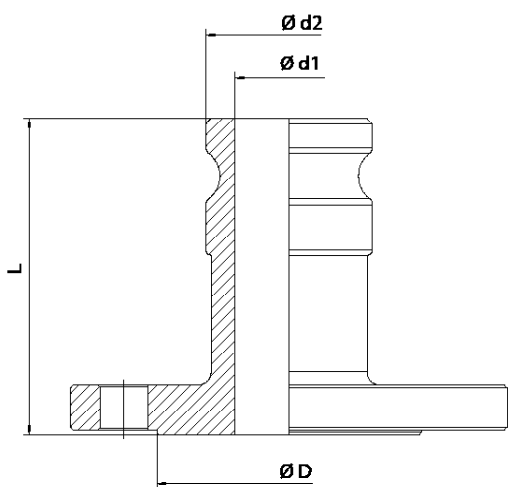
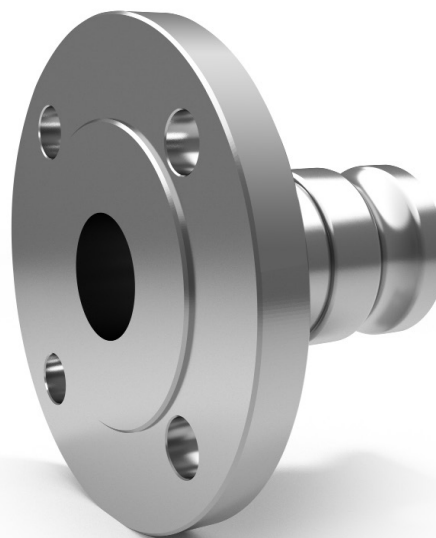
**AISI 316L LAS FF EN 14420-7:2004 CAM & GROOVE DIFLON F5**

The fast fitting is used in chemical, pharmaceutical and food industries.

The CELERITY in connecting hoses, to equipments and plants is what distinguishes this type of fitting from the other ones.

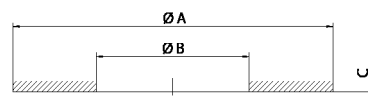
The standard construction material is AISI 316L.

The fitting flange is made according to the Standard Specification required by the customer.



**RECOMMENDED GASKET**

DIFLEX flat gasket, resistant to all acids and chemicals, pharmaceuticals and food products with temperatures from -170 °C to +270 °C and pressures up to 50 bar.



**FLAT GASKET**

DN	L	Ø D DIN	Ø D ANSI	Ø d1	Ø d2
15 - 1/2"	80	45	35	13	24,5
20 - 3/4"	80	58	43	20	29
25 - 1"	85	68	51	24	36,5
32 - 1 1/4"	90	78	64	32	44,5
40 - 1 1/2"	95	88	73	38	53
50 - 2"	100	102	92	48	63
65 - 2 1/2"	110	122	105	60	75,5
80 - 3"	120	138	127	74	91
100 - 4"	130	158	158	102	120

DN	Ø A DIN	Ø A ANSI	Ø B	C
15 - 1/2"	45	35	15	3,96
20 - 3/4"	58	43	20	5,53
25 - 1"	68	51	25	6,35
32 - 1 1/4"	78	64	32	6,35
40 - 1 1/2"	88	73	40	6,35
50 - 2"	102	92	50	6,35
65 - 2 1/2"	122	105	65	6,35
80 - 3"	138	127	80	6,35
100 - 4"	158	158	100	6,35