



□ AISI 316L PFA LINED KF SELFLOCK EN 14420-7:2004 CAM & GROOVE RETAINER DIFLON F2

The fast fitting is used in chemical, pharmaceutical and food industries.

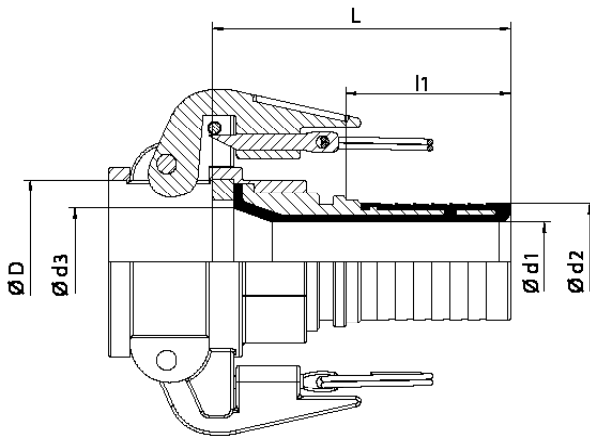
The CELERITY in connecting hoses, and safely, to equipments and plants is what distinguishes this type of fitting from the other ones.

The standard construction material is AISI 316L.

It is equipped with self-locking safety levers to avoid the accidental opening of the fitting.

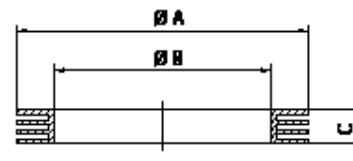


Antistatic version



RECOMMENDED GASKET

DIFLEX CAM & GROOVE gasket, resistant to all acids and chemicals, pharmaceuticals and food products with temperatures from -170 °C to +270 °C and pressures up to 50 bar.



GASKET CAM & GROOVE

DN	L	l1	Ø D	Ø d1	Ø d2	Ø d3
15 - 1/2"	60	30	25,5	9	13	12
20 - 3/4"	65	31	30	12	19,2	15
25 - 1"	70	34	37,5	16	25,7	20
32 - 1 1/4"	80	40	45,5	22	32,4	28
40 - 1 1/2"	95	51	54	27	38,5	37
50 - 2"	110	62	64	39	51	45
65 - 2 1/2"	115	68	76,5	51	64	57
80 - 3"	135	81	92	60	75	66
100 - 4"	150	92	121	87	101	96

DN	Ø A	Ø B	C
15 - 1/2"	26	17	3,96
20 - 3/4"	35	22	5,53
25 - 1"	40	27	6,35
32 - 1 1/4"	49	34	6,35
40 - 1 1/2"	55	41	6,35
50 - 2"	66	51	6,35
65 - 2 1/2"	79	60	6,35
80 - 3"	94	76	6,35
100 - 4"	123	102	6,35