

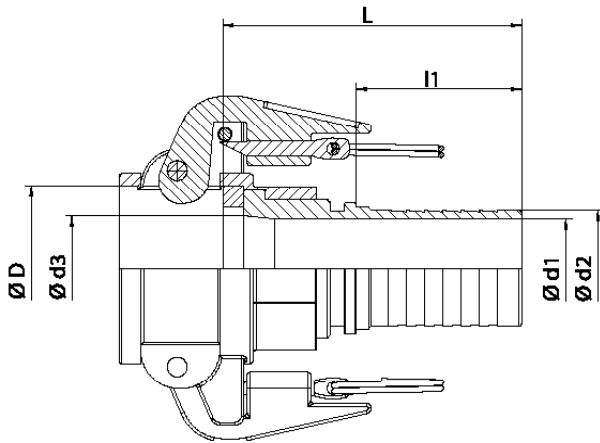
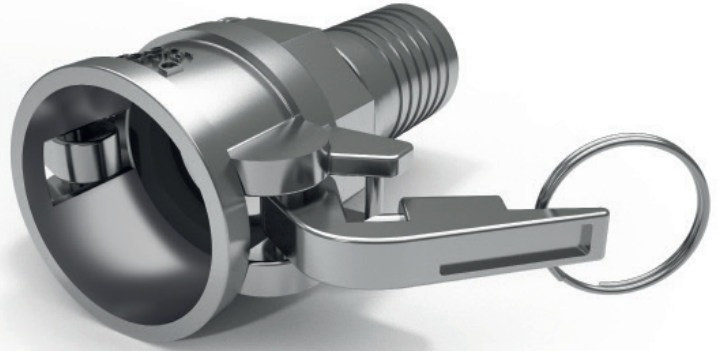
□ AISI 316L KF SELFLOCK EN 14420-7:2004 CAM & GROOVE RETAINER DIFLON F1

The fast fitting is used in chemical, pharmaceutical and food industries.

The CELERITY in connecting hoses, and safely, to equipments and plants is what distinguishes this type of fitting from the other ones.

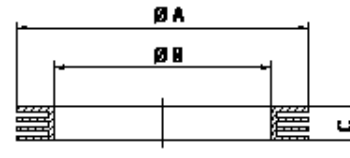
The standard construction material is AISI 316L.

It is equipped with self-locking safety levers to avoid the accidental opening of the fitting.



RECOMMENDED GASKET

DIFLEX CAM & GROOVE gasket, resistant to all acids and chemicals, pharmaceuticals and food products with temperatures from -170 °C to +270 °C and pressures up to 50 bar.



GASKET CAM & GROOVE

DN	L	l1	Ø D	Ø d1	Ø d2	Ø d3
15 - 1/2"	60	30	25,5	9	13	15
0 - 3/4"	70	31	30	15	19,2	20
25 - 1"	80	34	37,5	21	25,7	26
32 - 1 1/4"	90	40	45,5	28	32,4	32
40 - 1 1/2"	90	51	54	33	38,5	38
50 - 2"	95	62	64	45	51	45
65 - 2 1/2"	115	68	76,5	58	64	58
80 - 3"	135	81	92	69	75	73
100 - 4"	140	92	121	96	101	101

DN	Ø A	Ø B	C
15 - 1/2"	26	17	3,96
20 - 3/4"	35	22	5,53
25 - 1"	40	27	6,35
32 - 1 1/4"	49	34	6,35
40 - 1 1/2"	55	41	6,35
50 - 2"	66	51	6,35
65 - 2 1/2"	79	60	6,35
80 - 3"	94	76	6,35
100 - 4"	123	102	6,35