



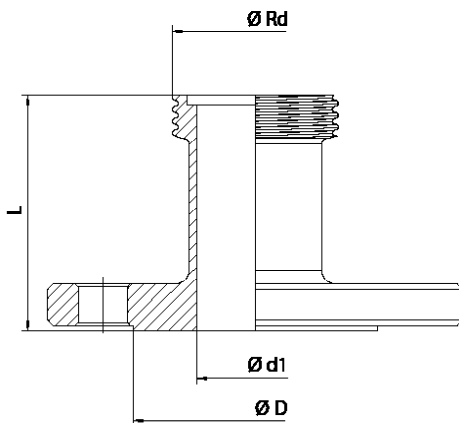
□ AISI 316L SMS 1145 FLANGED CONNECTION DIFLON C5

The fitting is used in chemicals and food industries to connect hoses to equipments and plants.

Standard construction material is AISI 316L.

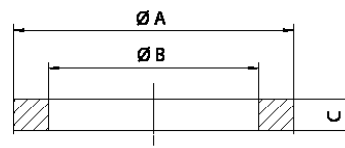
It is DIN 405 threaded.

The flange is made according to the Standard Specification required by the customer



RECOMMENDED GASKET

DIFLEX SMS 1145 gasket, resistant to all acids and chemicals, pharmaceuticals and food products with temperatures from -170 °C to +270 °C and pressures up to 50 bar.



GASKET SMS 1145

DN	L	Ø Rd	Ø D DIN	Ø D ANSI	Ø d1
25 - 1"	80	40-6	68	51	21
40 - 1 1/2"	90	60-6	88	73	34
50 - 2"	95	70-6	102	92	46
80 - 3"	110	98-6	138	127	69
100 - 4"	120	120-4	158	158	96

DN	Ø A	Ø B	C
25 - 1"	32	25	5,5
40 - 1 1/2"	48	36	5,5
50 - 2"	61	51	5,5
80 - 3"	86	76	5,5
100 - 4"	113,5	102	5,5