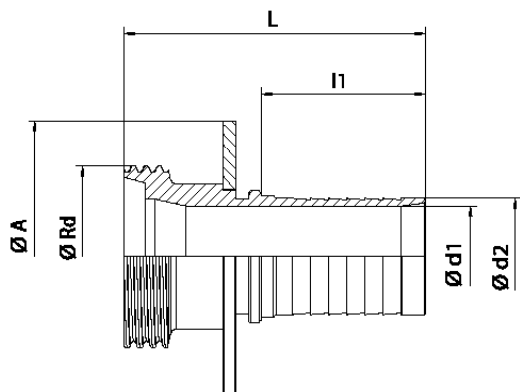
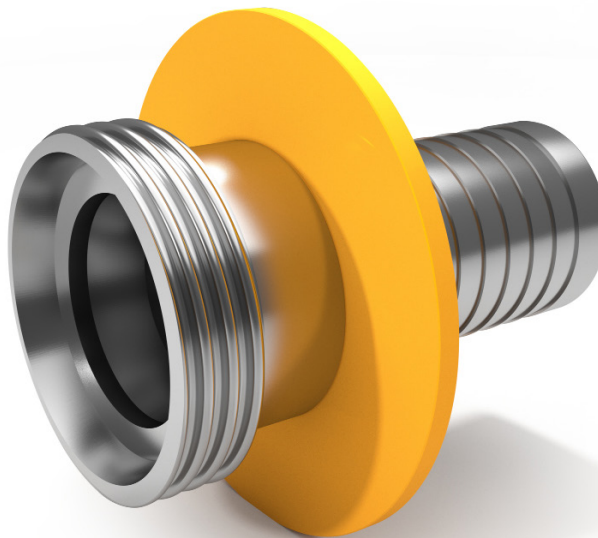


□ AISI 316L FEMALE SMS 1145 WITH PROTECTIVE GUARD DIFLON C2

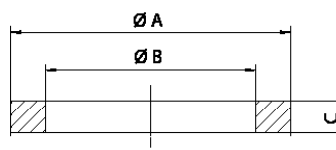
The fitting is used in chemicals and food industries to connect hoses quickly and safely to equipments and plants.

Standard construction material is AISI 316L. It is DIN 405 threaded.



RECOMMENDED GASKET

DIFLEX SMS 1145 gasket, resistant to all acids and chemicals, pharmaceuticals and food products with temperatures from -170 °C to +270 °C and pressures up to 50 bar.



DN	L	l1	Ø Rd	Ø d1	Ø d2	Ø A
25 - 1"	72	34	40-6	21	25,7	80
40 - 1 1/2"	77	51	60-6	34	38,5	100
50 - 2"	82	62	70-6	46	51	110
65 - 2 1/2"	93	68	85-6	59	64	130
80 - 3"	118	81	98-6	69	75	150
100 - 4"	125	92	120-4	96	101	170

GASKET SMS 1145

DN	Ø A	Ø B	C
25 - 1"	32	25	5,5
40 - 1 1/2"	48	36	5,5
50 - 2"	61	51	5,5
65 - 2 1/2"	73,5	63,5	5,5
80 - 3"	86	76	5,5
100 - 4"	113,5	102	5,5