

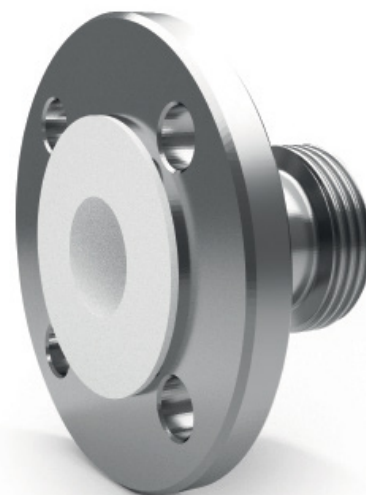
□ AISI 316L PFA LINED DIN 11851 FEMALE FLANGE CONNECTION DIFLON B6

The fitting is used in chemicals and food industries to connect hoses to equipments and plants.

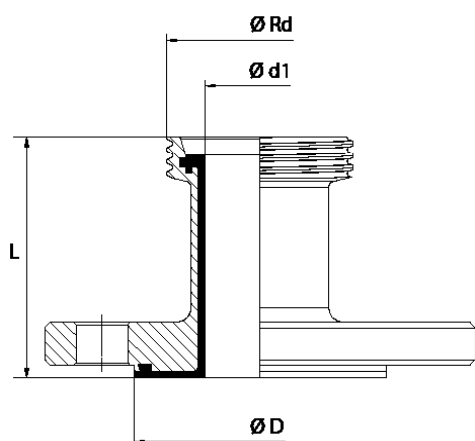
Standard construction material is AISI 316L/PFA.
It is DIN 405 threaded.

The inner lining ensures resistance against nearly all chemicals,
pH 0÷14, design temperature -40 °C ÷ 200 °C.

The flange is made according to the Standard Specification
required by the customer.



Antistatic version



RECOMMENDED GASKET

DIFLEX DIN 11851 gasket, resistant to all acids and chemicals, pharmaceuticals and food products with temperatures from -170 °C to +270 °C and pressures up to 50 bar.



GASKET DIN 11851

DN	L	Ø Rd	Ø D DIN	Ø D ANSI	Ø d1
25 - 1"	80	52-6	68	51	24
40 - 1 1/2"	90	65-6	88	73	38
50 - 2"	95	78-6	102	92	50
80 - 3"	110	110-4	138	127	81
100 - 4"	120	130-4	158	158	90

DN	Ø A	Ø B	C
25 - 1"	40	30	5
40 - 1 1/2"	52	42	5
50 - 2"	64	54	5
80 - 3"	95	85	5
100 - 4"	114	104	5