



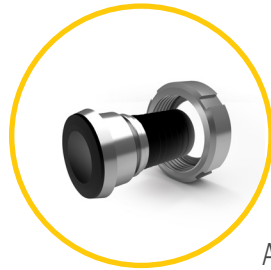
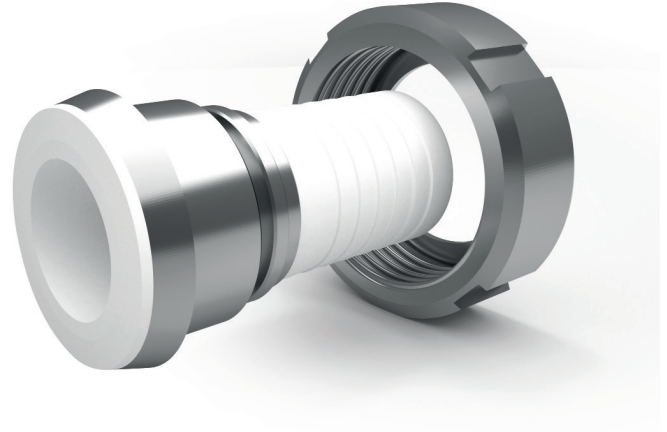
□ AISI 316L PFA LINED DIN 11851 MALE RETAINER DIFLON B3

The fitting is supplied without ferrule and it is used in chemicals and food industries to connect hoses quickly and safely to equipments and plants.

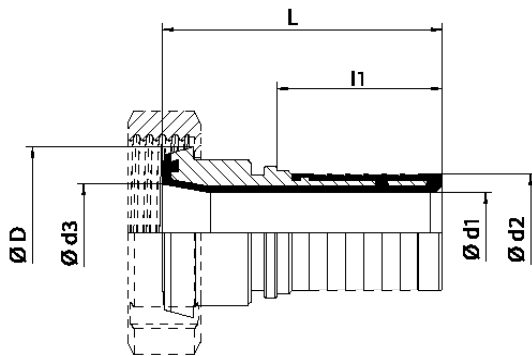
Standard construction material is AISI 316L/PFA.

The inner lining ensures resistance against nearly all chemicals, pH 0÷14, design temperature -40 °C ÷ 200 °C.

DIN 405 threaded ferrule is according to the Standard DIN 11851 can be supplied in AISI 304L and AISI 316L.

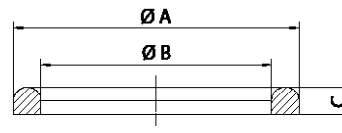


Antistatic version



RECOMMENDED GASKET

DIFLEX DIN 11851 gasket , resistant to all acids and chemicals, pharmaceuticals and food products with temperatures from -170 °C to +270 °C and pressures up to 50 bar.



GASKET DIN 11851

DN	L	l1	Ø D	Ø d1	Ø d2	Ø d3
25 - 1"	72	34	44	16	25,7	20
40 - 1 1/2"	90	51	56	27	38,5	33
50 - 2"	100	62	68	39	51	45
80 - 3"	120	81	100	60	75	75

DN	Ø A	Ø B	C
25 - 1"	40	30	5
40 - 1 1/2"	52	42	5
50 - 2"	64	54	5
80 - 3"	95	85	5