

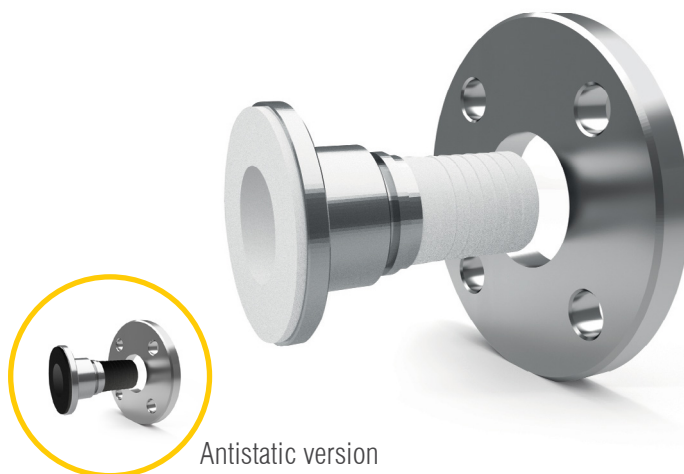
□ AISI 316L PFA LINED FLANGE RETAINER DIFLON A2

The fitting is supplied without flange and it is used in heavy conditions in chemicals, pharmaceuticals and food industries to connect hoses to flanged connections of equipments and plants.

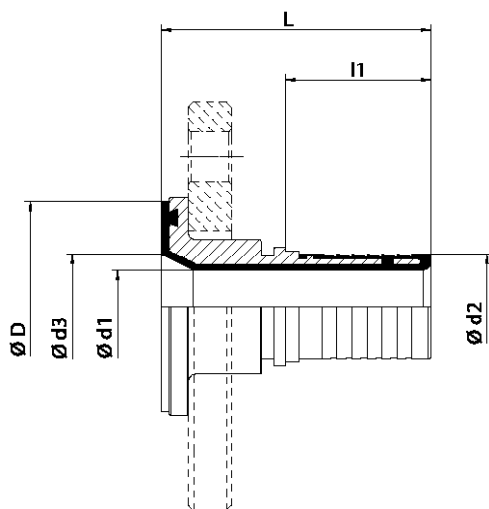
Standard construction material is AISI 316L/PFA.

The inner lining ensures resistance against chemicals, pH 0÷14, design temperature -40 °C ÷ 200 °C.

The flange can be provided in the Standard Specification and material according to customer requirements.

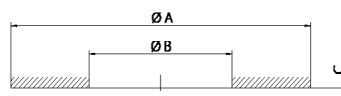


Antistatic version



RECOMMENDED GASKET

DIFLEX flat gasket, resistant to all acids and chemicals, pharmaceuticals and food products with temperatures from -170 °C to +270 °C and pressures up to 50 bar.



FLAT GASKET

DN	L	I1	Ø D	Ø d1	Ø d2	Ø d3
15 - 1/2"	60	30	40	9	13	12
20 - 3/4"	65	31	47	12	19,2	15
25 - 1"	70	34	58	16	25,7	20
32 - 1 1/4"	80	40	68	22	32,4	28
40 - 1 1/2"	100	51	78	27	38,5	40
50 - 2"	115	62	92	39	51	46
65 - 2 1/2"	120	68	105	51	64	57
80 - 3"	135	81	127	60	75	66
100 - 4"	150	92	158	87	101	90

DN	Ø A DIN	Ø A ANSI	Ø B	C
15 - 1/2"	45	35	15	3,96
20 - 3/4"	58	43	20	5,53
25 - 1"	68	51	25	6,35
32 - 1 1/4"	78	64	32	6,35
40 - 1 1/2"	88	73	40	6,35
50 - 2"	102	92	50	6,35
65 - 2 1/2"	122	105	65	6,35
80 - 3"	138	127	80	6,35
100 - 4"	158	158	100	6,35