

PTFE LINED DIP PIPE

Standard Supply

Design:

To customer specification

Flange: DN1 fixed

DN2 fixed

EN 1092-1

1 fixed + 1 fixed

Range:

DN 15 - DN 500, PN 10

Metallic parts:

body: P245GH EN 10216-217

flange: P245GH EN 1092-1

stub-end: P245GH EN 1092-1

Interior lining:

PTFE

Variants

Design:

Flange: for DN1 - free flange

Length: up to 5 m until DN

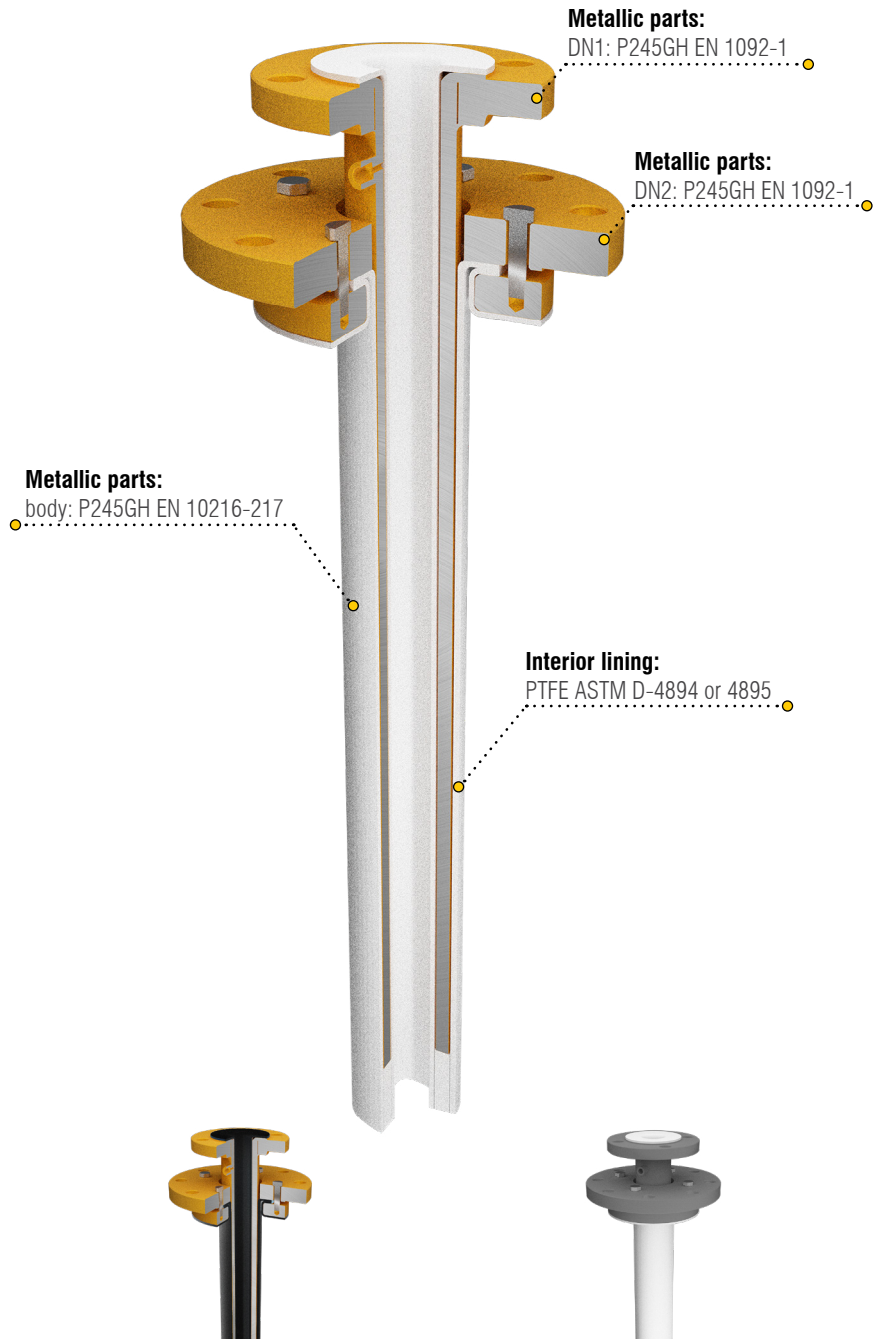
Metallic parts:

Stainless Steel 304L/316L

Low temp. steel P275NL

Interior lining:

Antistatic PTFE



Antistatic version of dip pipe

Standard finishing:
gray epoxy-vinyl zinc paint

Available on request



Approvals and Certifications



Quality and Special tests



Engineering Services



Special Supply



Stainless steel 304L/316L components



External Finiture



DIN

index

previous view

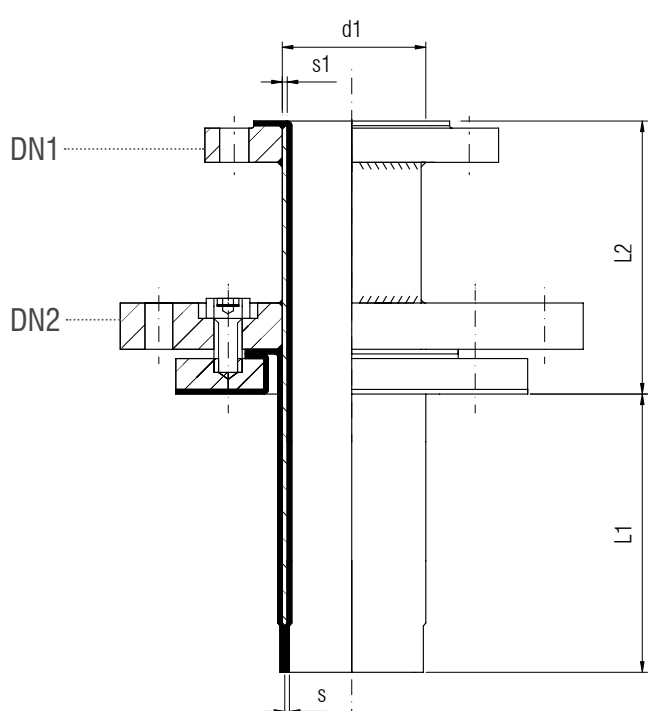
D2-66

data sheet

DIFLINE

D2

PTFE LINED DIP PIPE



Dimension table

DN1	DN2	L1 max. ± 25 mm	L2 max. ± 5 mm	d1 x s1	s ± 10% mm	Weight kg
15	on request	2500	150	26,9 x 2,3	3,0	1,3
20		2500	150	26,9 x 2,3	3,0	1,5
25		2500	150	33,7 x 2,6	3,0	2,0
32		2500	150	42,4 x 2,6	3,5	2,8
40		2500	150	48,3 x 2,6	3,5	3,4
50		2500	150	60,3 x 2,9	4,0	4,8
65		2500	150	76,1 x 2,9	4,5	6,4
80		2500	150	88,9 x 3,2	5,0	8,2
100		2500	150	114,3 x 3,6	5,5	11,5
125		2500	150	139,7 x 4,0	5,5	18,0
150		2500	150	168,3 x 4,5	6,0	28,7
200		2500	150	219,1 x 5,9	6,5	40,0
250		2500	150	273 x 6,3	7,0	57,0
300	2500	200	323,9 x 7,1	7,0	76,0	
400	2500	200	406,4 x 8,0	7,0	120	

Technical specifications of Difline products



Pipes and Flanges dimensions according to DIN



Fittings dimensions according to DIN 2848



Operative Conditions



Bolt Torque



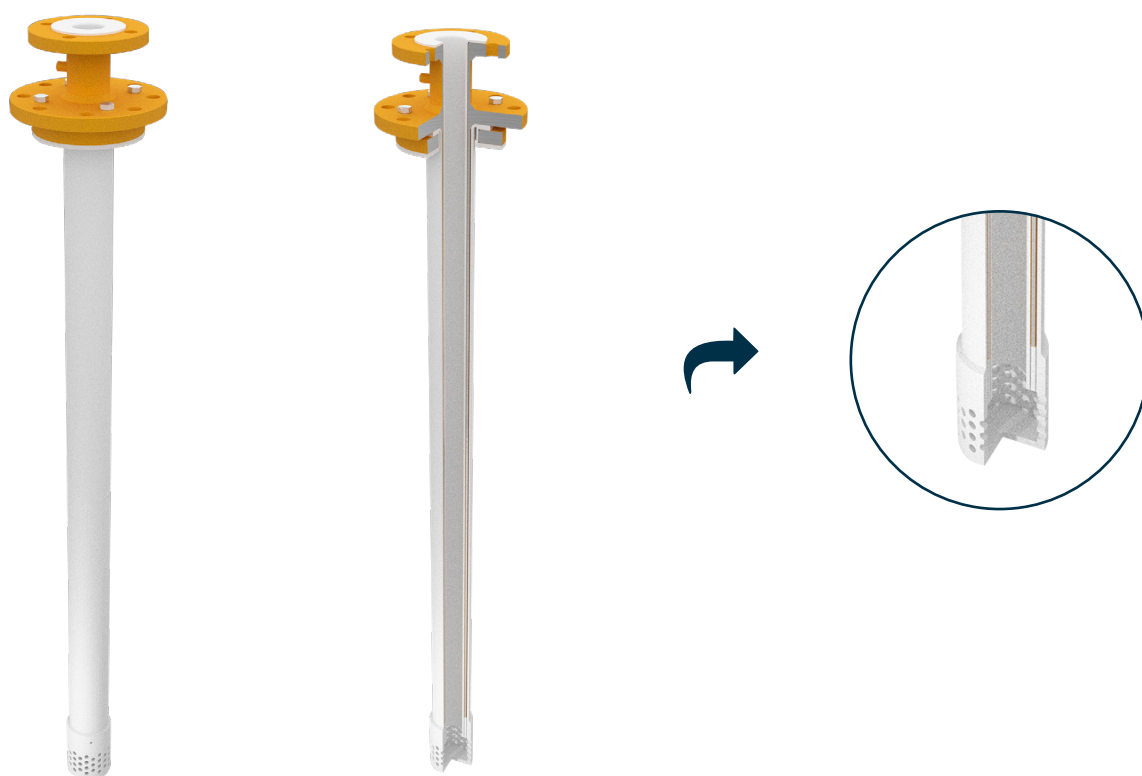
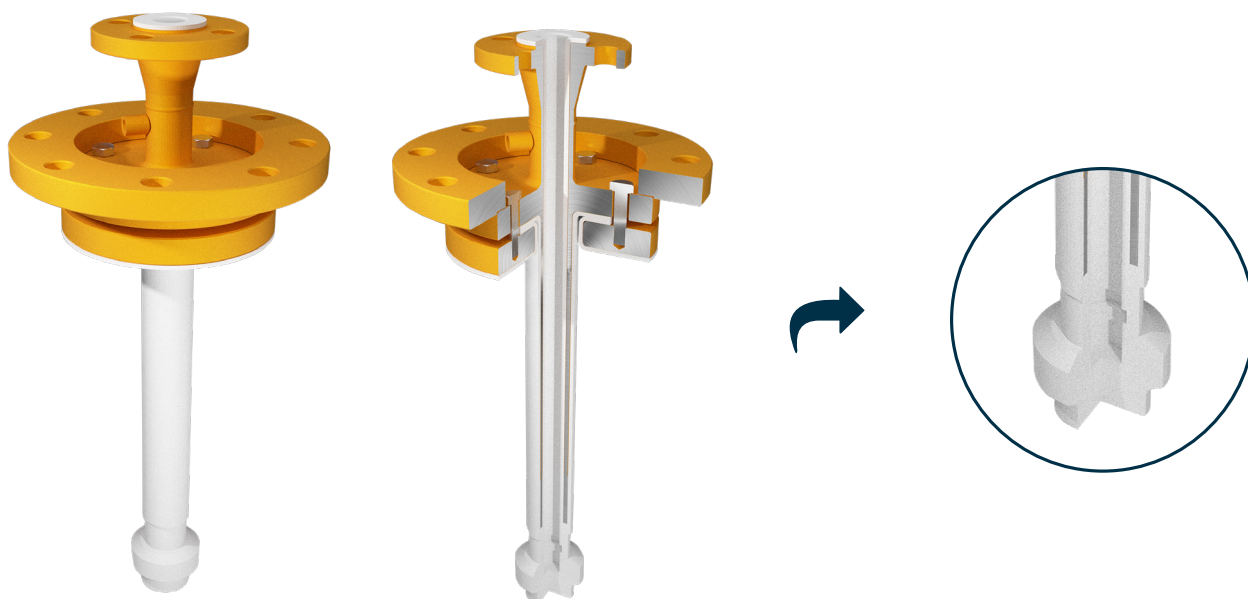
Finiture, Marking, Packing



Table of Chemical Resistance of Materials*

□ PTFE LINED DIP PIPE

Examples of embodiments with terminals





index

DIN

previous view

D2-66
data sheet

DIFLINE

D2

PTFE LINED DIP PIPE

Examples of embodiments with terminals

