

## PTFE LINED SPECTACLE RINGS

### Standard Supply

**Design:**

DIN 2848/2874

**Range:**

DN 15 - DN 450, PN 10

**Metallic part:**

body: P235GH EN 10273

**Interior lining:**

← PTFE

### Variants

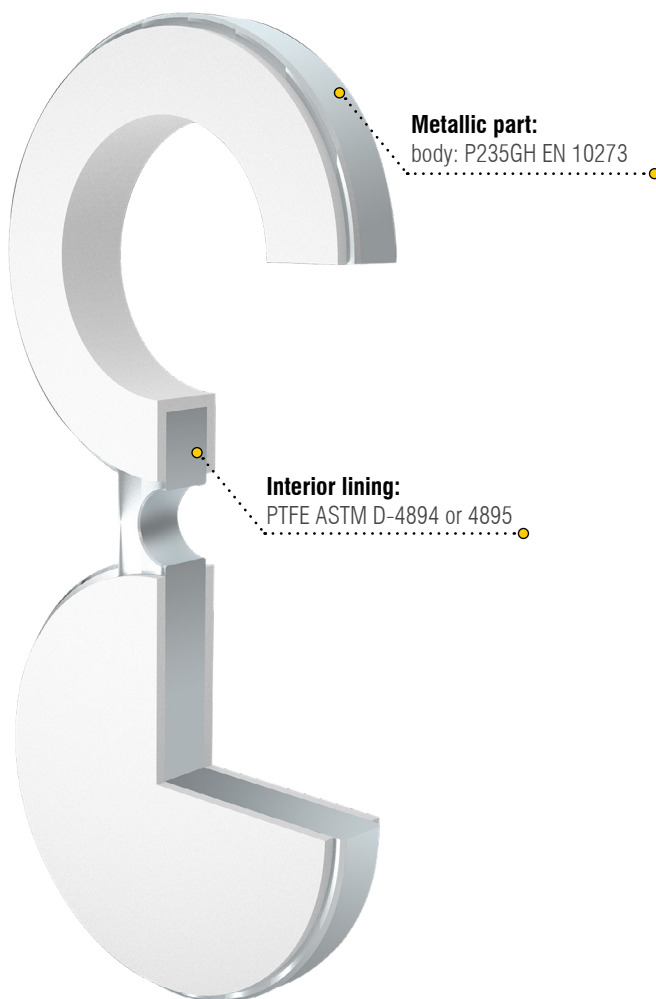
**Metallic parts:**

Stainless Steel 304L/316L

Low temp. steel P275NL

**Interior lining:**

← Antistatic PTFE



Antistatic version of the spectacle ring



**Standard finishing:**  
gray epoxy-vinyl zinc paint

### Available on request



Approvals and Certifications



Quality and Special tests



Engineering Services



Special Supply



Stainless steel 304L/316L components



External Finiture



DIN

index

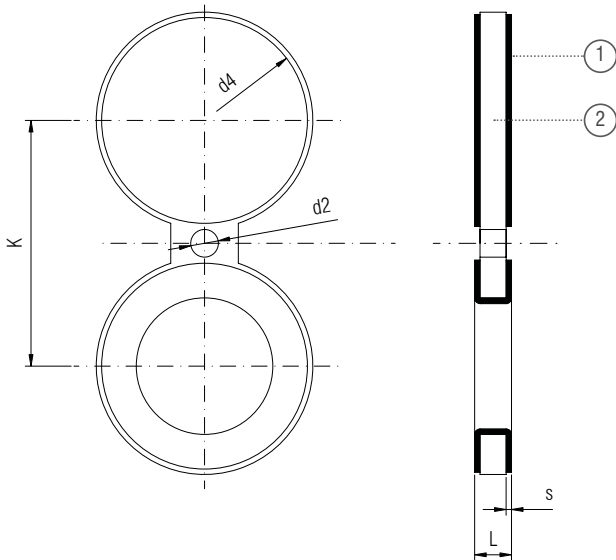
previous view

D2-62  
data sheet

DIFLINE

D2

## PTFE LINED SPECTACLE RINGS



Dimension table

DN	L mm	s ± 10% mm	K mm	d2 mm	d4 mm
25	16	3	85	14	68
32	16	3	100	18	78
40	18	3	110	18	88
50	20	3	125	18	102
65	20	3	145	18	122
80	24	3,5	160	18	138
100	24	4	180	18	158
125	25	4,5	210	18	180
150	26	5	240	23	212
200	28	6	295	23	268
250	30	6,5	350	23	320
300	32	6,5	400	23	370
350	35	6,5	460	23	430
400	36	6,5	515	27	482
450	40	6,5	565	27	532

### Technical specifications of Difline products



Pipes and Flanges dimensions according to DIN



Fittings dimensions according to DIN 2848



Operative Conditions



Bolt Torque



Finiture, Marking, Packing



Table of Chemical Resistance of Materials\*