

PTFE - PFA EQUAL CROSSES
DESIGN DIN 2448/2874 - CERTIFIED - 2014/68/EU (PED)

Standard Supply

Design:

DIN 2848/2874

Flange: 1 fixed + 2 free

Range:

DN 15 - DN 500, PN 10

Version A:

body: P245GH EN 10216-1

flange: P245GH EN 1092-1

stub-end: P235GH EN 10273

Interior lining:

← PTFE

← PFA

Variants

Design:

for big diameters more than one piece will be provided

Flanges: 3 fixed

Metallic parts:

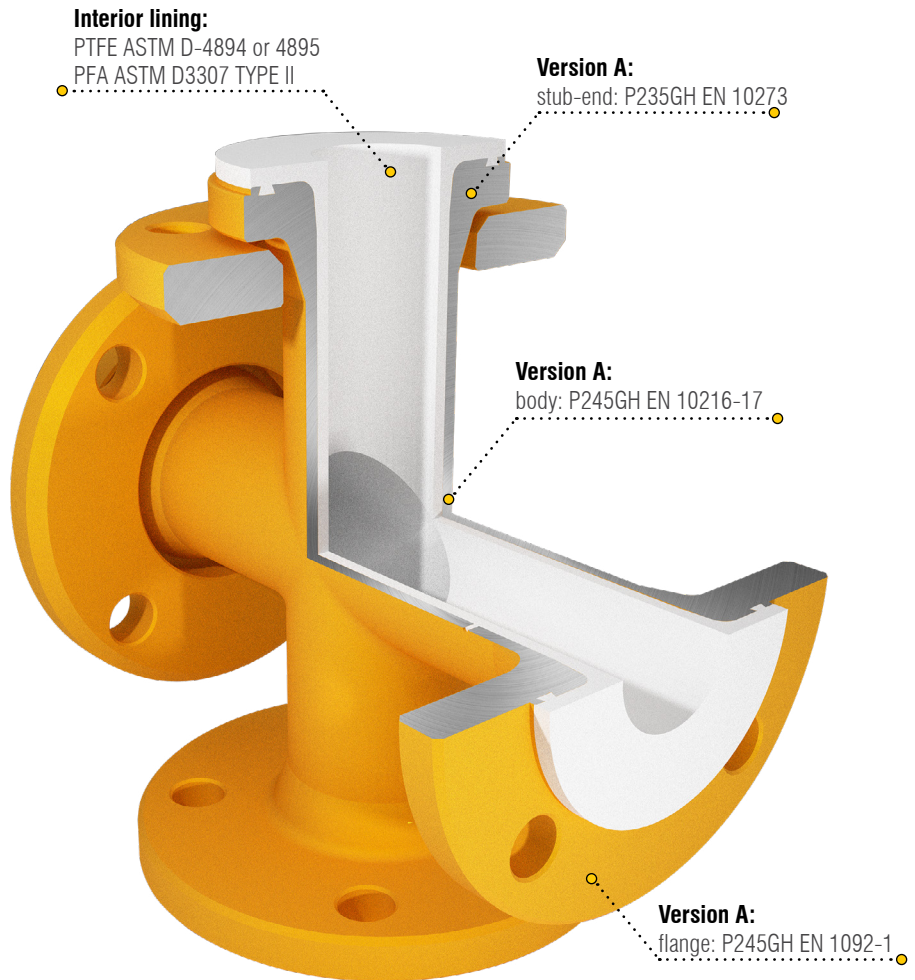
Stainless Steel 304L/316L

Low temp. steel P275NL

Interior lining:

← Antistatic PTFE

← Antistatic PFA



Equal Crosses in Antistatic version



Standard finishing:
gray epoxy-vinyl zinc paint

Available on request



Approvals and Certifications



Quality and Special tests



Engineering Services



Special Supply



Stainless steel 304L/316L components



External Finiture



DIN

index

previous view

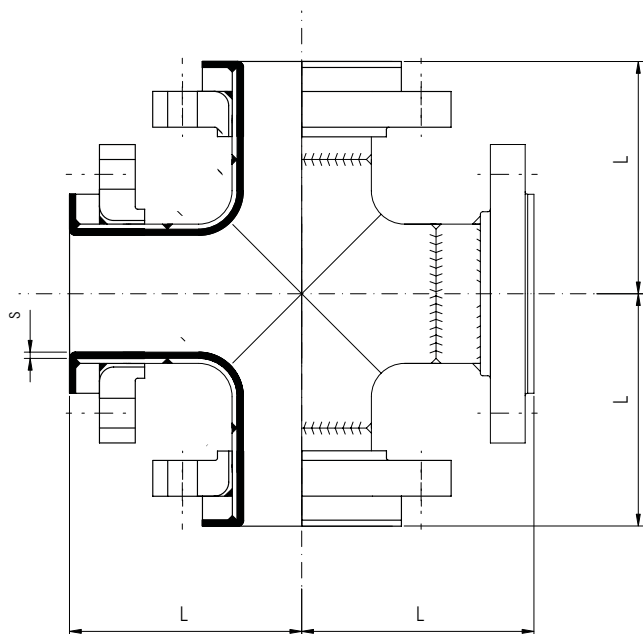
D2-40

data sheet

DIFLINE

D2

PTFE - PFA EQUAL CROSSES DESIGN DIN 2448/2874 - CERTIFIED - 2014/68/EU (PED)



Dimension table

DN	L mm	s ± 10% mm	Weight kg
15	80	3	2,5
20	95	3	3,2
25	110	3,5	3,6
32	130	3,5	4,7
40	150	4	6,1
50	120	4	9,7
65	140	4,5	13,5
80	165	4,5	21
100	205	5	36
125	245	6	73
150	285	6,0	97
200	365	7	126
250	450	7,5	198
300	525	8	286
350	600	8	385
400	680	8	485
450	680	8	530
500	500	8	560
600	500	8	740

Technical specifications of Difline products



Pipes and Flanges dimensions according to DIN



Fittings dimensions according to DIN 2848



Operative Conditions



Bolt Torque



Finiture, Marking, Packing



Table of Chemical Resistance of Materials*